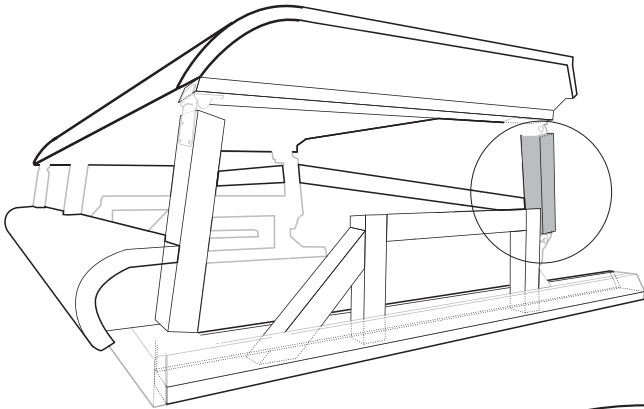


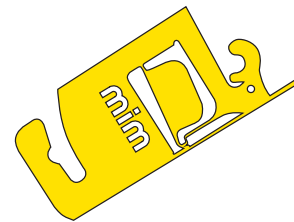
# CORRECT FITTING CHECKS

## Table Kit straight and angled - 80320

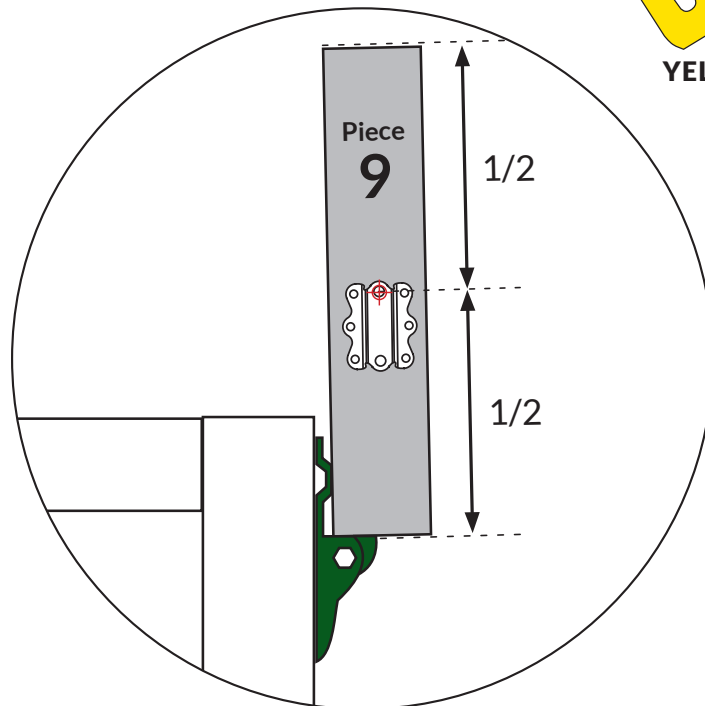


**IMPORTANT**

Yellow Clips on all frangible straight and angled tables



**YELLOW CLIP**



- Checking the device is fitted within the upper limits of the dimensions in the instructions will ensure that it activates as the manufacturer designed to meet the FEI frangible standard.
- The clips must be checked if any horse hits the fence to see if the warning flag has been activated and clips replaced with new ones if there is any warning to ensure fairness for all competitors. Never push the warning flag back in as the clip is already weakened.
- Dimensions on new built fences using MIM to be correct from 1st January 2024. Existing fences with MIM frangible devices built upto January 1st 2024 may stay in use without changes until end of their useful life.
- Weight of rails/tables can exceed the maximum weight(as specified in the MIM Instruction) by up to 25%. Weight labels come with all new MIM kits and are available free from MIM if you need more.