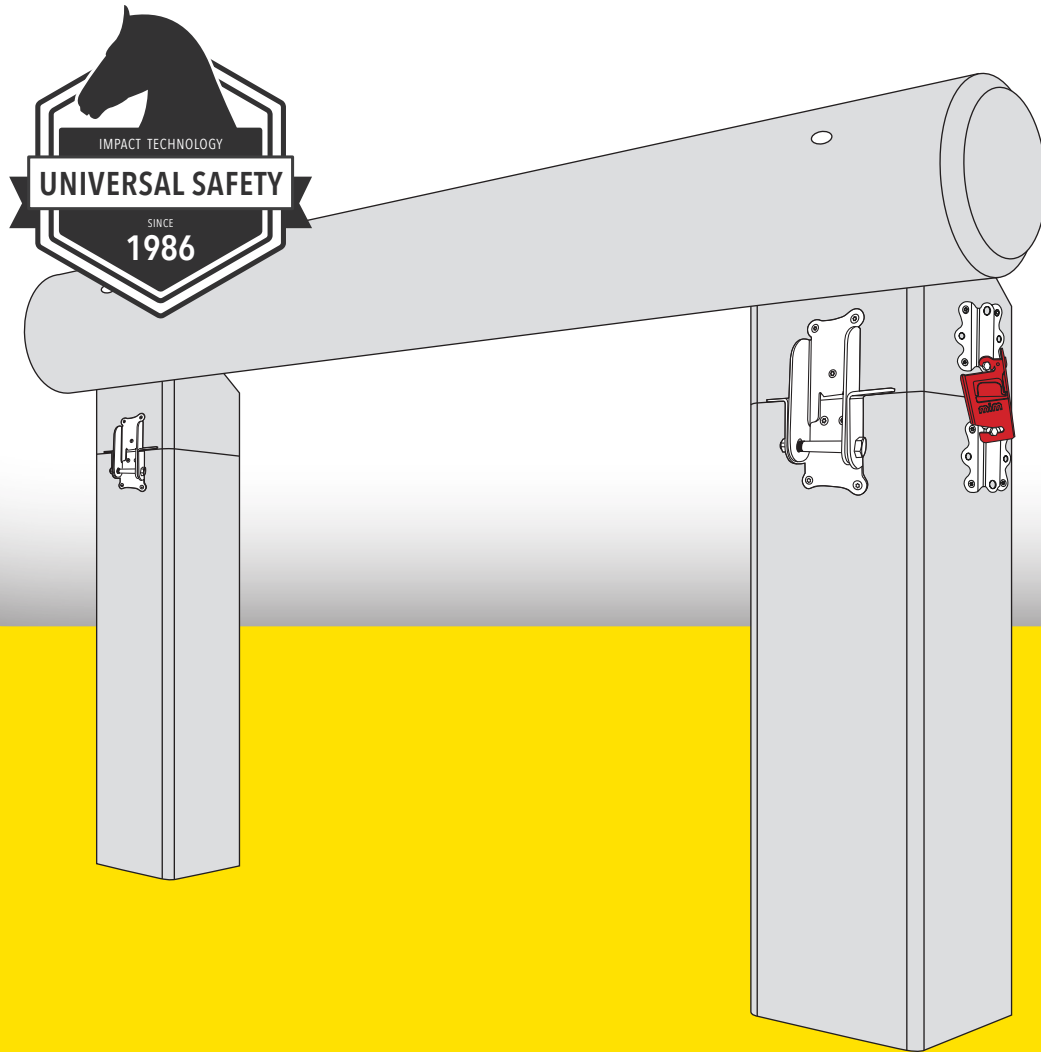


mimSAFE

www.mimsafe.se



ASSEMBLY INSTRUCTIONS

POST & RAIL SKINNY/ANGLED KIT

USING GATE & WALL KIT - NEWERA USIT SYSTEM



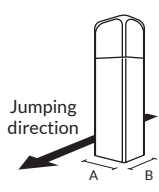
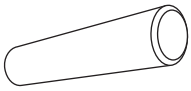
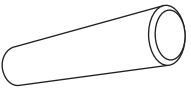

APPROVED

INFORMATION ABOUT THE POST & RAIL SKINNY KIT

The Post & Rail Skinny Kit has been designed and developed specifically to greatly reduce the risk of rotational falls. The most important element of this kit is that it will not break the fence or

risk injury to the horse if hit vertically. The rail is only released when impacted horizontally by the horse. The risk of a resulting rotational fall is thus reduced.

RECOMMENDED FENCE DIMENSIONS

POST	RAIL	RAIL												
														
<p>A: MIN-MAX SIZE</p>	<p>INTENDED LOW APPROACHING SPEED</p>	<p>INTENDED NORMAL APPROACHING SPEED</p>												
<table border="1"> <tr> <td>6 - 8</td> <td>inch</td> </tr> <tr> <td>150 - 200</td> <td>mm</td> </tr> </table>	6 - 8	inch	150 - 200	mm	<p>Low approaching speed is for combinations and the angled jumps.</p>	<p>Normal approaching speed is for single fences and combinations where the horses speed jump don't get slowed down.</p>								
6 - 8	inch													
150 - 200	mm													
<p>B: MINIMUM-SIZE</p>	<p>MIN-MAX WEIGHT</p>	<p>MIN-MAX WEIGHT</p>												
<table border="1"> <tr> <td>6</td> <td>inch</td> </tr> <tr> <td>150</td> <td>mm</td> </tr> </table>	6	inch	150	mm	<table border="1"> <tr> <td>88 - 260</td> <td>lb</td> </tr> <tr> <td>40 - 120</td> <td>kg</td> </tr> </table>	88 - 260	lb	40 - 120	kg	<table border="1"> <tr> <td>88 - 440</td> <td>lb</td> </tr> <tr> <td>40 - 200</td> <td>kg</td> </tr> </table>	88 - 440	lb	40 - 200	kg
6	inch													
150	mm													
88 - 260	lb													
40 - 120	kg													
88 - 440	lb													
40 - 200	kg													
<p>Check</p>	<p>MIN-MAX DIAMETER</p>	<p>MIN-MAX DIAMETER</p>												
	<table border="1"> <tr> <td>8 - 12</td> <td>inch</td> </tr> <tr> <td>200 - 300</td> <td>mm</td> </tr> </table>	8 - 12	inch	200 - 300	mm	<table border="1"> <tr> <td>8 - 12</td> <td>inch</td> </tr> <tr> <td>200 - 300</td> <td>mm</td> </tr> </table>	8 - 12	inch	200 - 300	mm				
8 - 12	inch													
200 - 300	mm													
8 - 12	inch													
200 - 300	mm													
	<p>MAXIMUM LENGTH</p> <table border="1"> <tr> <td>12</td> <td>ft</td> </tr> <tr> <td>360</td> <td>cm</td> </tr> </table>	12	ft	360	cm	<p>MAXIMUM LENGTH</p> <table border="1"> <tr> <td>12</td> <td>ft</td> </tr> <tr> <td>360</td> <td>cm</td> </tr> </table>	12	ft	360	cm				
12	ft													
360	cm													
12	ft													
360	cm													



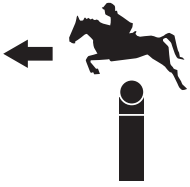
It is essential to follow the recommended dimensions on the fence for the correct function. If the recommended procedure is not correctly followed it may cause the failure of the device.

For your own safety and that of others please note the following step by step advice for correct preparation and installation. It is important that you follow your own health and safety requirements when constructing this kit.

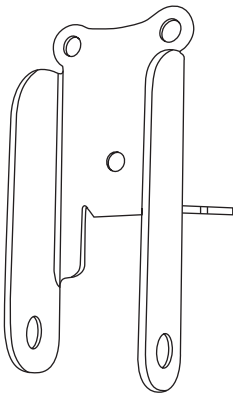
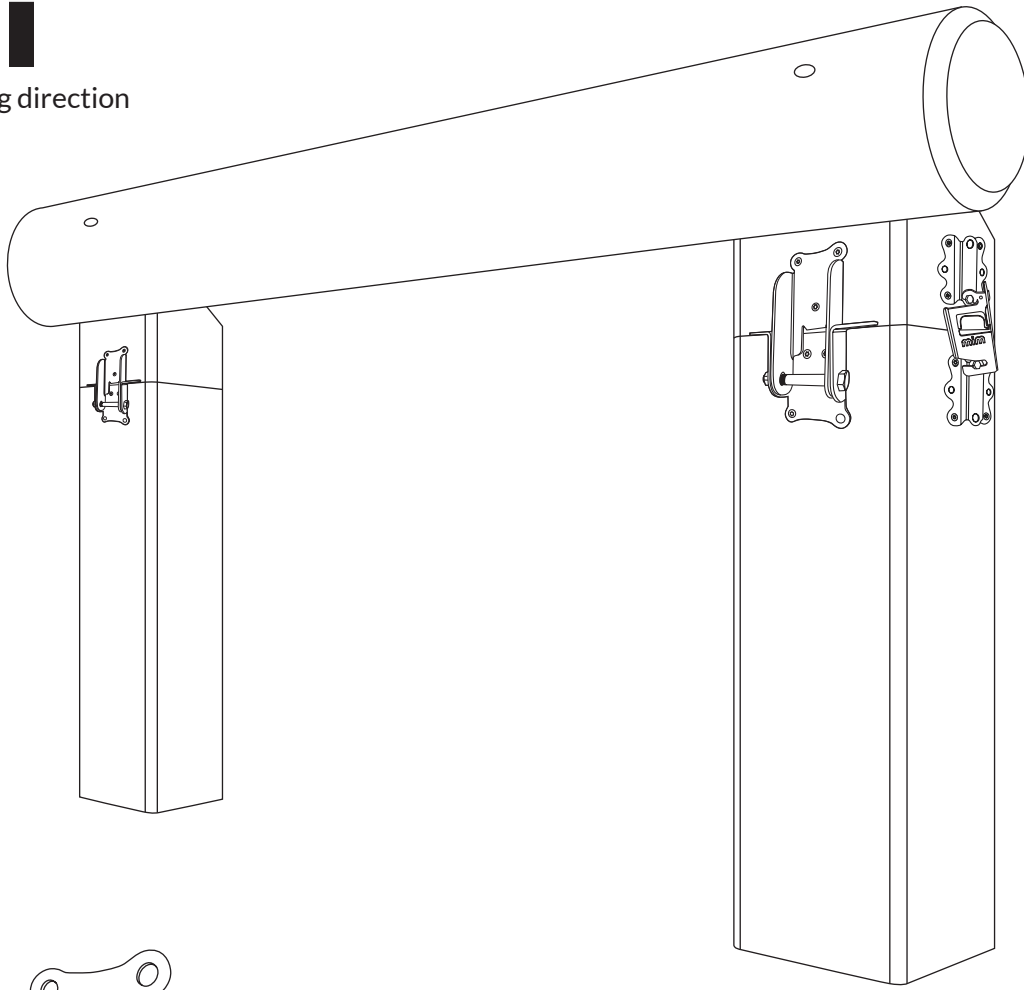
Ensure that you have all parts of the Post & Rail Skinny Kit.

Be aware of the risk of injury when handling heavy rails, poles and the tools for mounting.

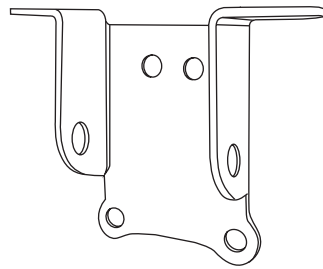
WARNING!



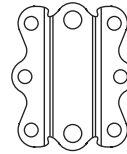
Jumping direction



A F76D
Part no 2x



B F76C
Part no 2x



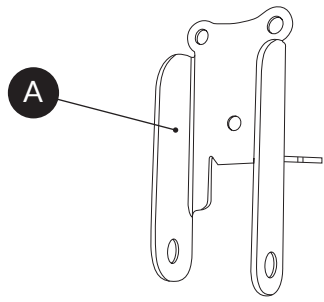
C F70A
Part no 4x



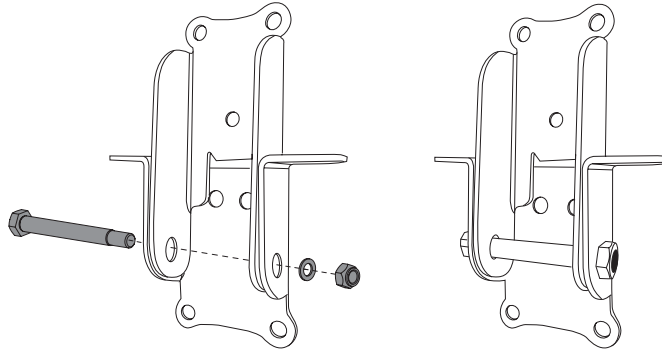
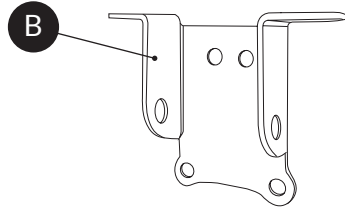
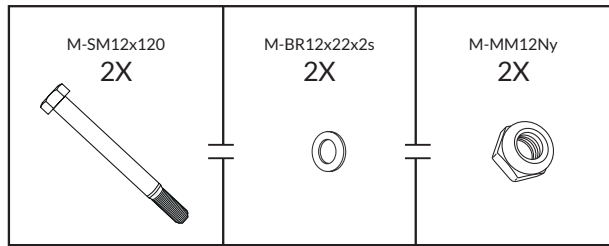
D F18C
Part no 6x

<p>M-SM12x90 2X</p>	<p>M-BR12x22x2s 2X</p>	<p>M-MM12Ny 2X</p>	<p>M-TS10X90 4X</p>	<p>POST TOP SECTION 2X</p> <p>not included</p>	<p>POST BOTTOM SECTION 2X</p> <p>not included</p>	<p>RAIL 1X</p> <p>not included</p>
-------------------------	----------------------------	------------------------	-------------------------	--	---	--

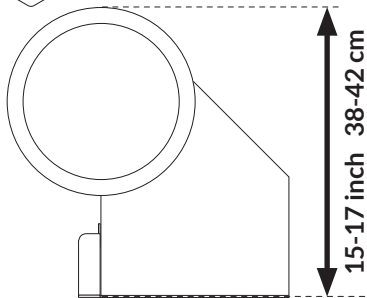
STEP
1



2X

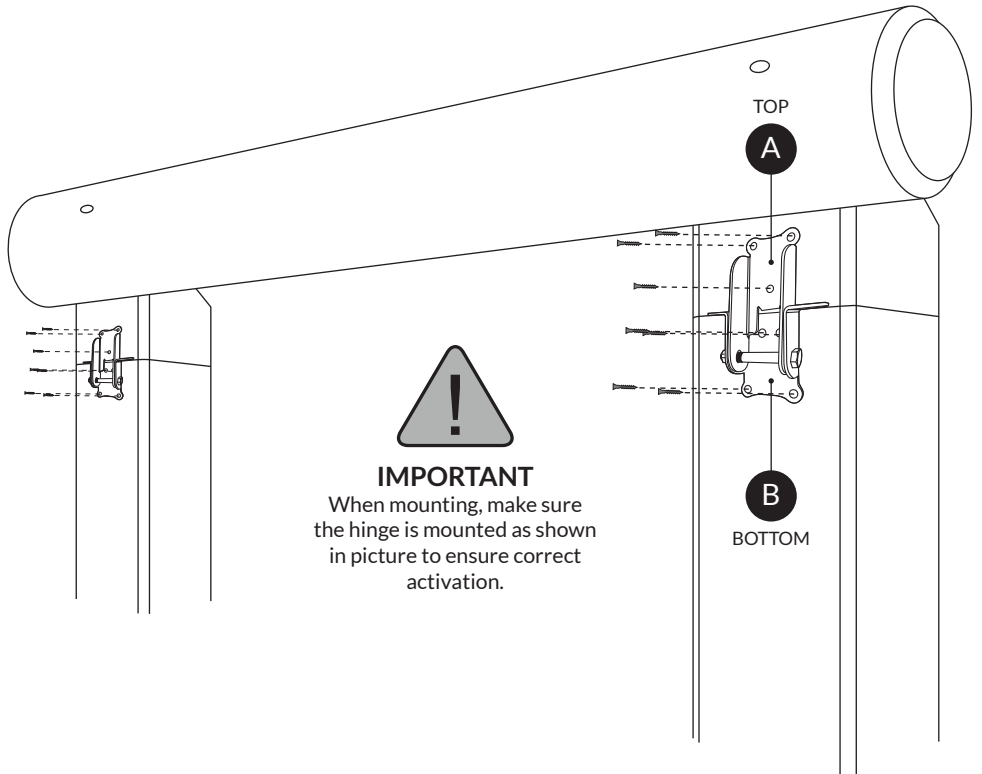


STEP
2



IMPORTANT

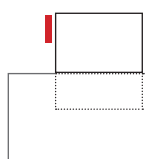
Make sure you follow the cutting measurements for correct fence release/function



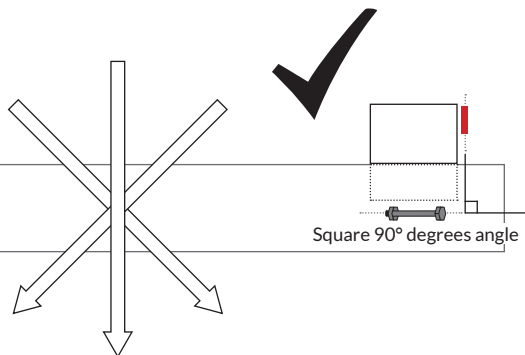
STEP
3

CORRECT alignment of the clip

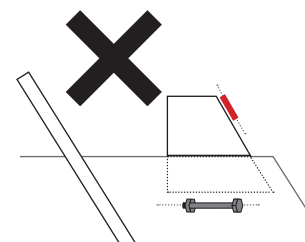
WRONG alignment of the clip



top view



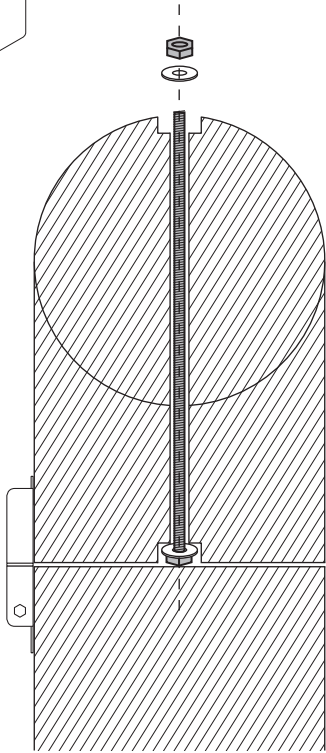
Jumping directions



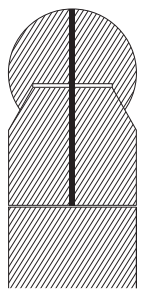
top view

Jumping direction

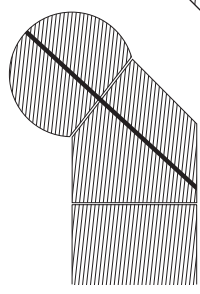
STEP
4



Jumping direction



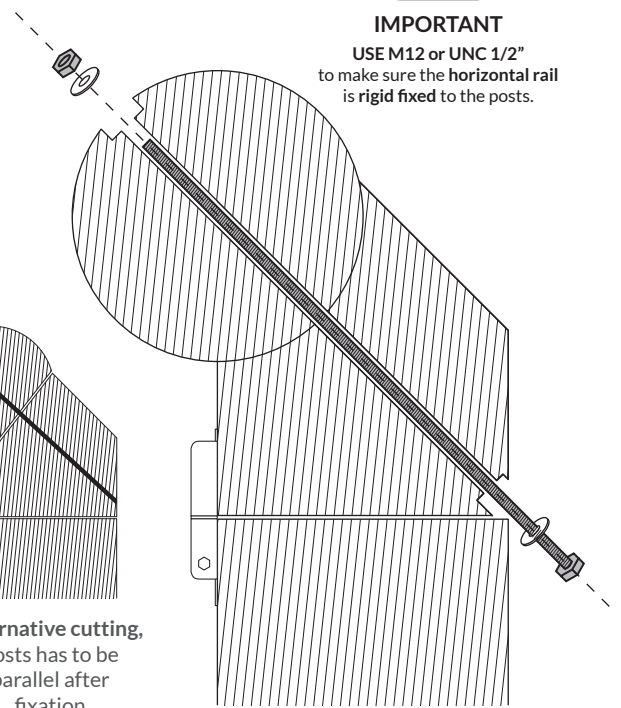
Alternative cutting,
posts has to be
parallel after
fixation



Alternative cutting,
posts has to be
parallel after
fixation



IMPORTANT
USE M12 or UNC 1/2"
to make sure the horizontal rail
is rigid fixed to the posts.



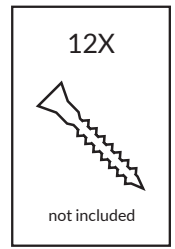
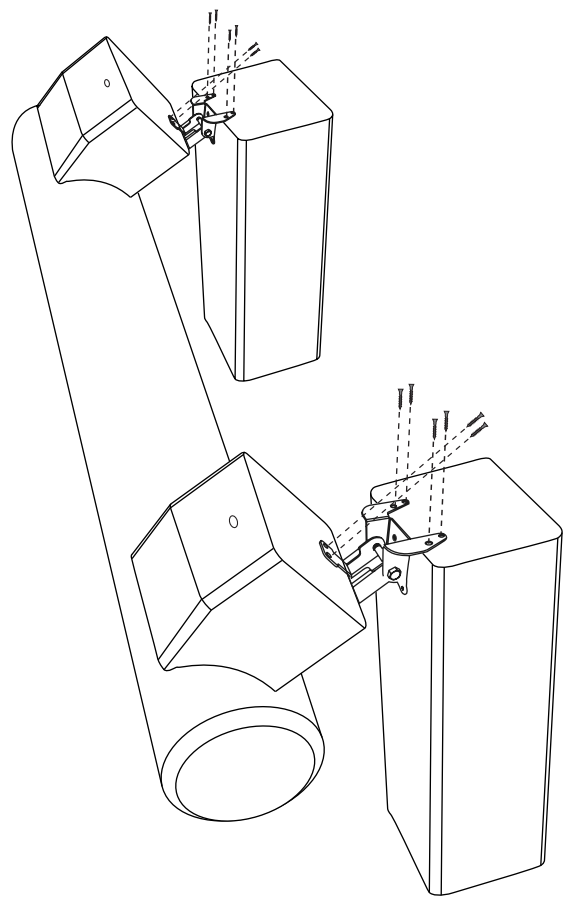
**Alternative for intended
normal approaching speed**

Can also be used for low
approaching speed

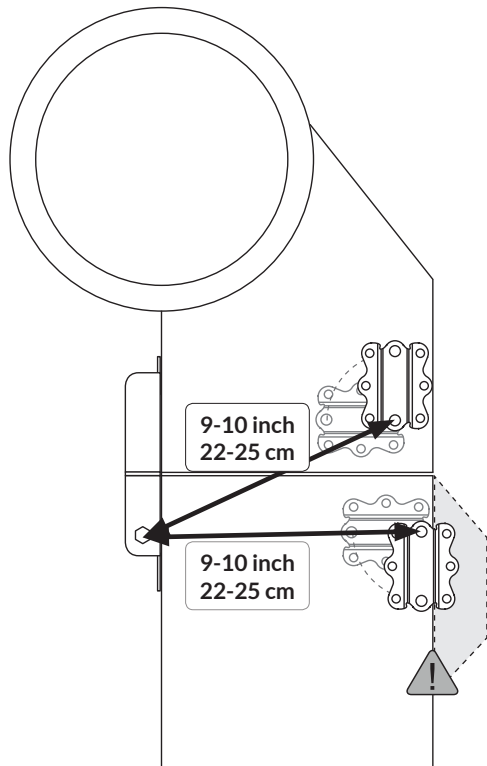
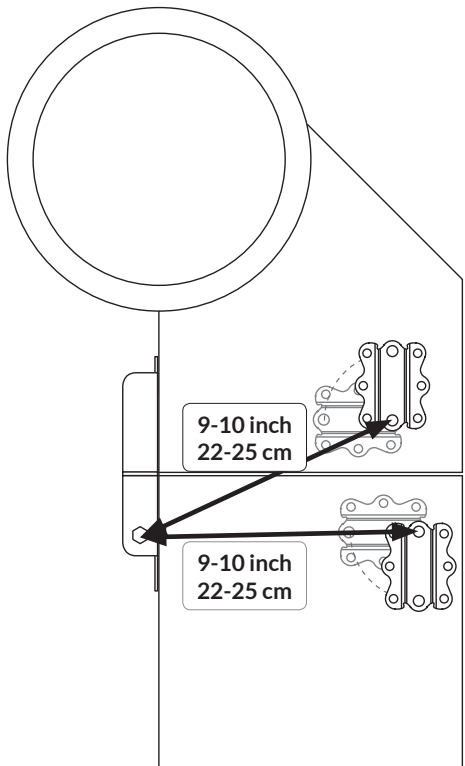
**Alternative for intended
low approaching speed**

Can also be used for normal
approaching speed

STEP
5



STEP
6



!

IMPORTANT

Make sure you follow the mounting measurements for correct fence release/function

There is no difference in the releasing force depending on the clip's orientation, vertical or horizontal, as long as the distance from the hinge bolt to the clip follows the instructions.

!

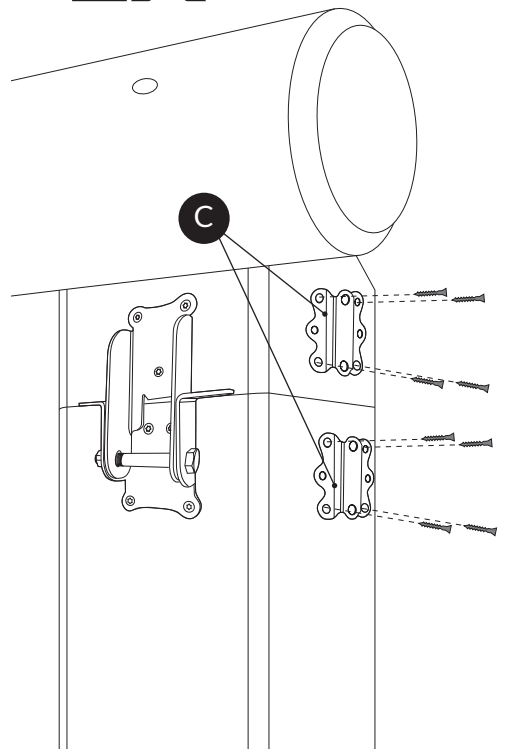
IMPORTANT

Add on material for the bracket C if post is too thin

8X

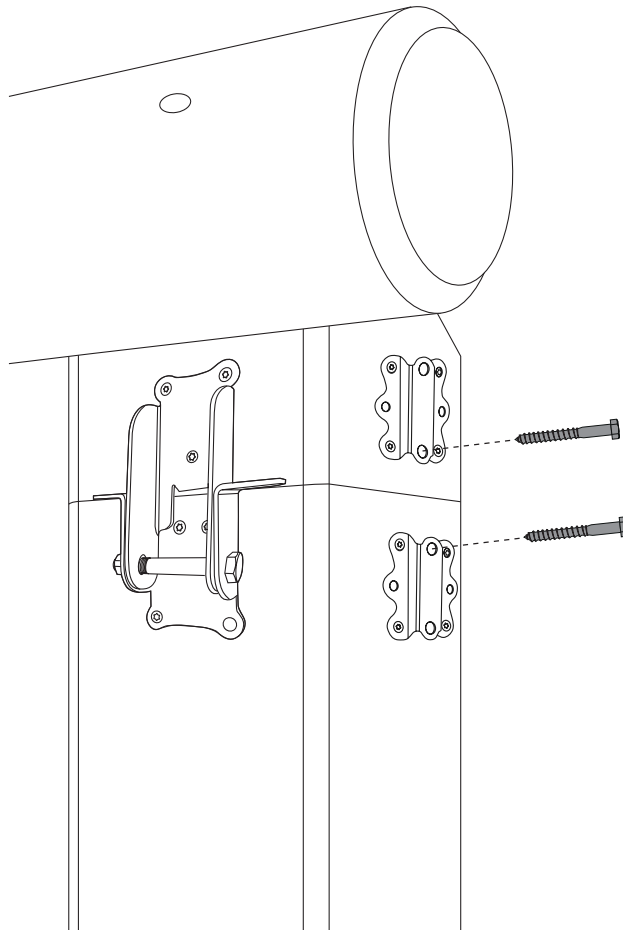
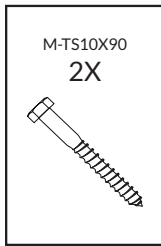
not included

2X



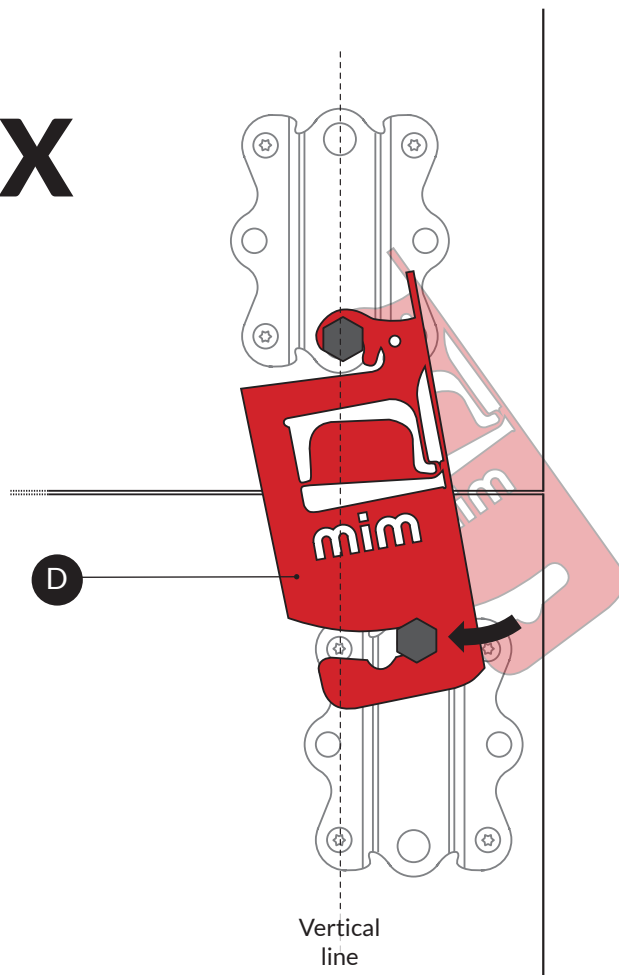
STEP
7

2X



STEP
8

2X



IMPORTANT



Distance between brackets should be adjusted to avoid clip D rattling.



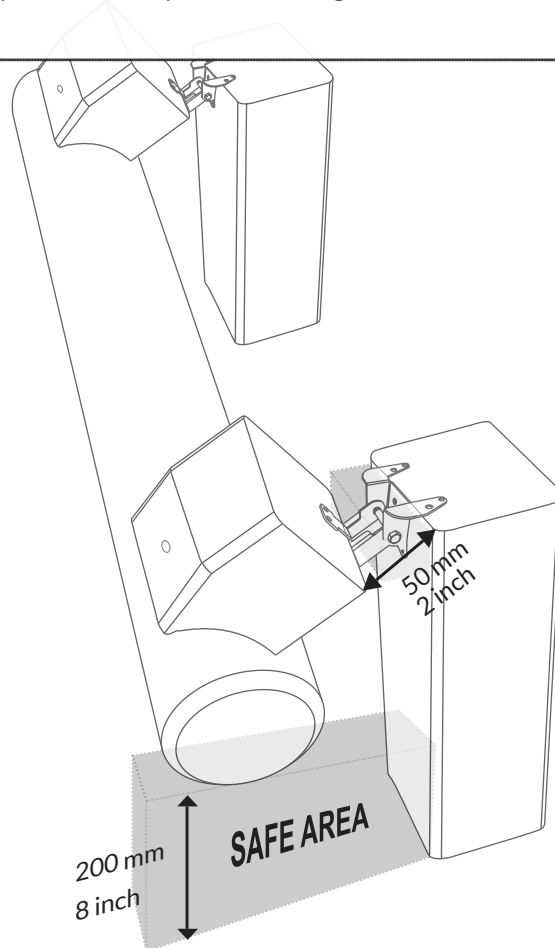
IMPORTANT

When top section is released the gap between top section and bottom section should be **maximum 50 mm**.

If gap is wider, then place object to shrink/reduce the gap.

When top section is released the distance between top section and ground should be **minimum 200 mm**.

If distance between ground and top section is less, then place an object which will prevent the top section falling into the **SAFE AREA**



The advantages of the Post & Rail Skinny Kit

1. It has been produced with safety being the first and foremost important factor.
2. Reduces the possibility of rotational falls.
3. FEI approved number FEI01SWE.
4. Controlled movement of fence during release.
5. Reconstruction time is less than 30 seconds.
6. The parts are made of powder coated steel and can be left outside, no maintenance is required.
7. The very highest quality of product from Sweden ISO 9001.

The Mim clip (F18C) breaks on impact, which clearly indicates when replacement is needed. The top section is connected to the post with a hinge that makes the fence easy to reconstruct. This saves time, guarantees fair and correct judging for riders and contributes to the overall safety of the sport.