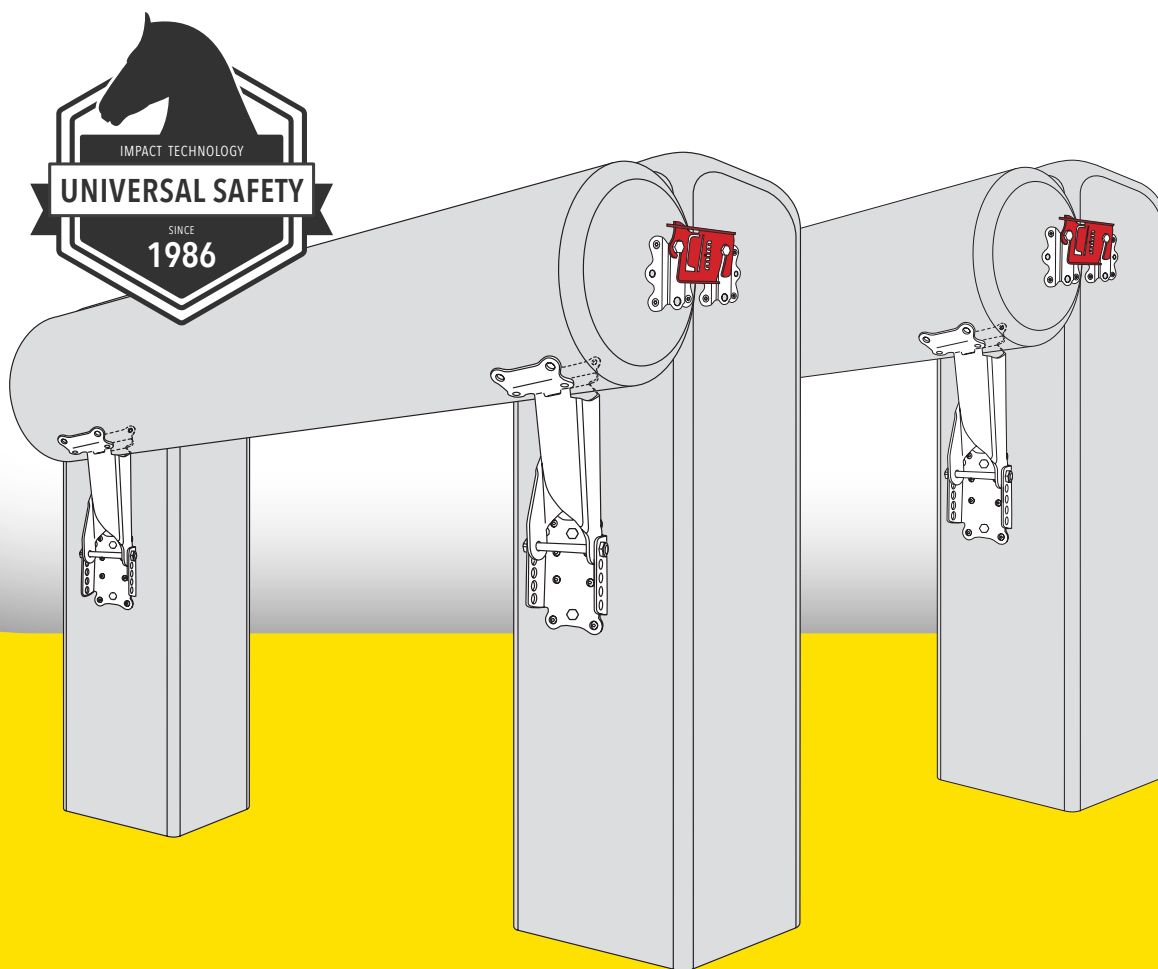


mimSAFE

www.mimsafe.se



ASSEMBLY INSTRUCTIONS

OXER KIT

NEWERA USIT SYSTEM






APPROVED

INFORMATION ABOUT THE OXER KIT

The Oxer Kit has been designed and developed specifically to greatly reduce the risk of rotational falls. The most important element of this kit is that it will not break the fence or

risk injury to the horse if hit vertically. The rail is only released when impacted horizontally by the horse. The risk of a resulting rotational fall is thus reduced.

RECOMMENDED FENCE DIMENSIONS									
<p>POST</p> 	<p>RAIL</p> 								
<p>MIN-MAX SIZE</p> <table border="1"><tr><td>6 - 10</td><td>inch</td></tr><tr><td>150 - 250</td><td>mm</td></tr></table>	6 - 10	inch	150 - 250	mm	<p>MIN-MAX DIAMETER</p> <table border="1"><tr><td>8 - 12</td><td>inch</td></tr><tr><td>200 - 300</td><td>mm</td></tr></table>	8 - 12	inch	200 - 300	mm
6 - 10	inch								
150 - 250	mm								
8 - 12	inch								
200 - 300	mm								
	<p>MAXIMUM LENGTH</p> <table border="1"><tr><td>16.4</td><td>ft</td></tr><tr><td>500</td><td>cm</td></tr></table>	16.4	ft	500	cm				
16.4	ft								
500	cm								
<p>MIN-MAX SIZE</p> <table border="1"><tr><td>6 - 10</td><td>inch</td></tr><tr><td>150 - 250</td><td>mm</td></tr></table>	6 - 10	inch	150 - 250	mm	<p>MAXIMUM WEIGHT</p> <table border="1"><tr><td>440.92</td><td>lb</td></tr><tr><td>200</td><td>kg</td></tr></table>	440.92	lb	200	kg
6 - 10	inch								
150 - 250	mm								
440.92	lb								
200	kg								



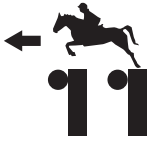
It is essential to follow the recommended dimensions on the fence for the correct function. If the recommended procedure is not correctly followed it may cause the failure of the device.

For your own safety and that of others please note the following step by step advice for correct preparation and installation. It is important to ensure that you follow your own health and safety requirements when constructing this kit.

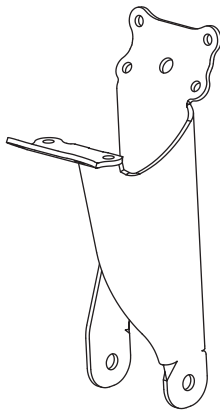
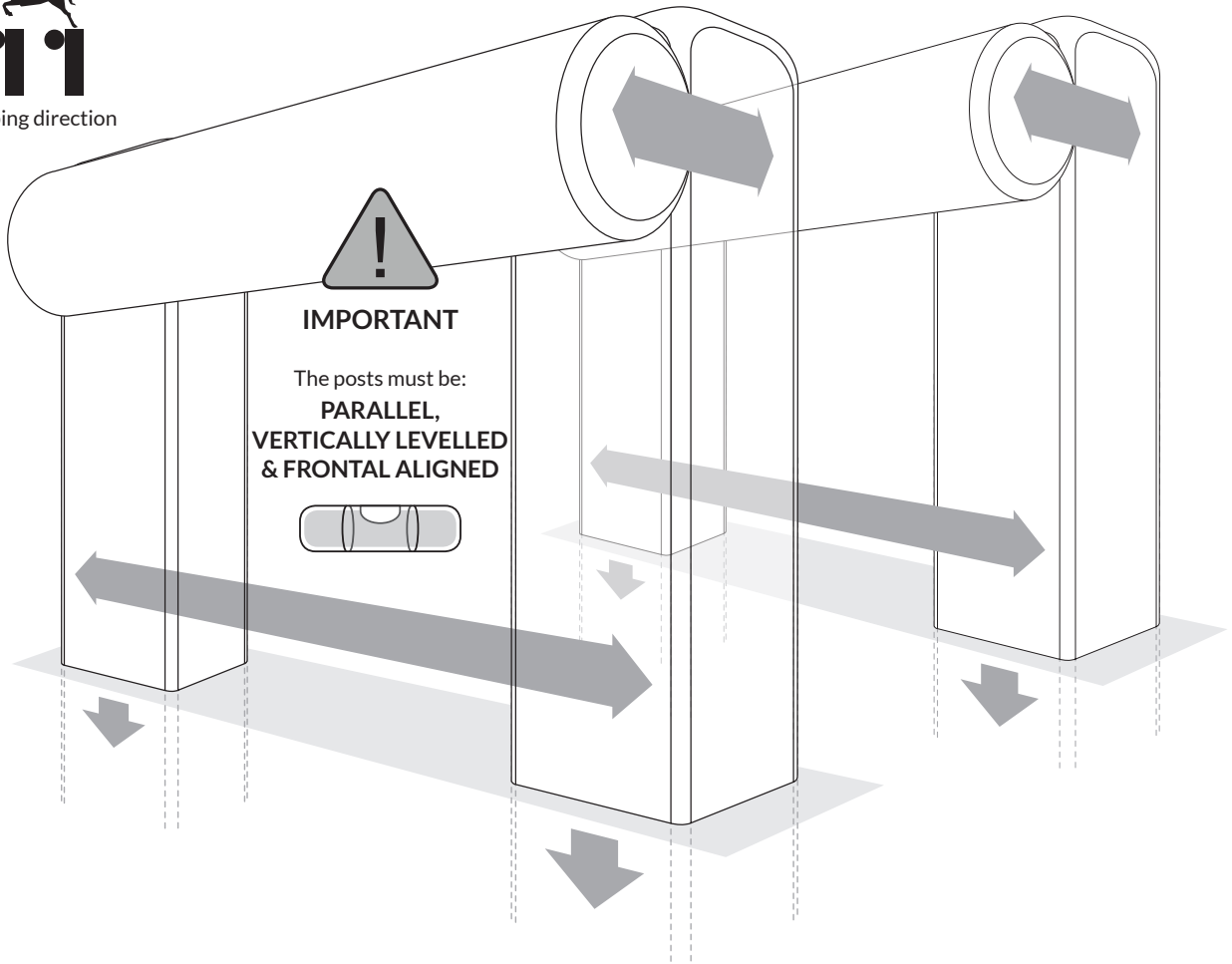
Ensure that you have all parts of the Oxer Kit.

Be aware of the risk of injury when handling heavy rails, poles and the tools for mounting.

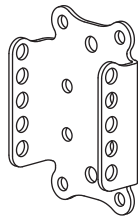
WARNING!



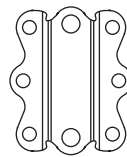
Jumping direction



A	F65	4x
	Part no	



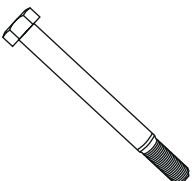


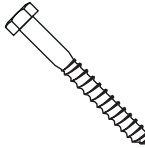


B	F64A5	4x
	Part no	



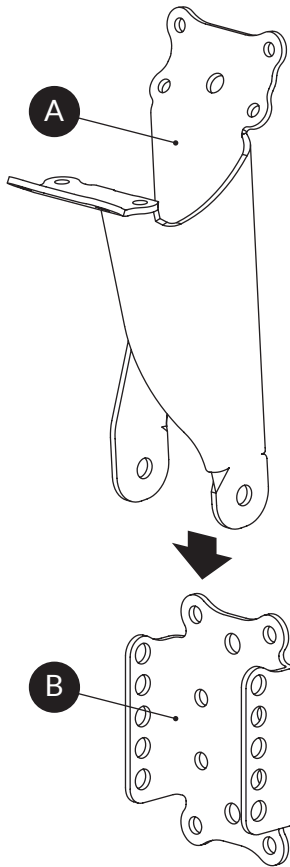
C	F70A	8x
	Part no	






D	F18C	12x
	Part no	

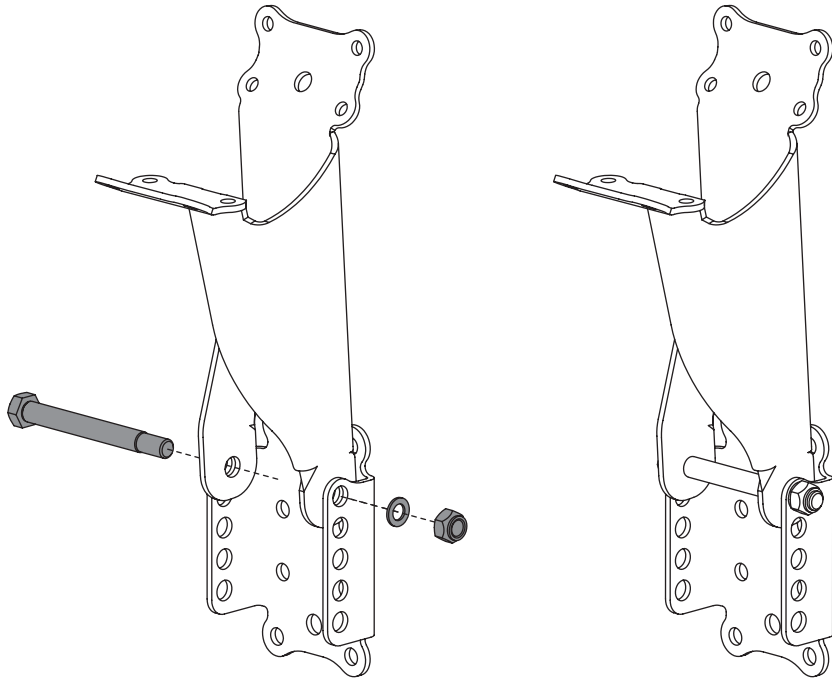
<p>M-SM12x120 4X</p> 	<p>M-BR12x22x2s 4X</p> 	<p>M-MM12Ny 4X</p> 	<p>M-TS10X90 8X</p> 	<p>POST 4X</p>  <p>not included</p>	<p>RAIL 2X</p>  <p>not included</p>
--	--	--	---	--	--

STEP
1



4X

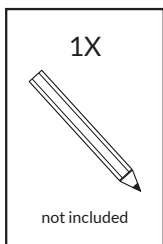
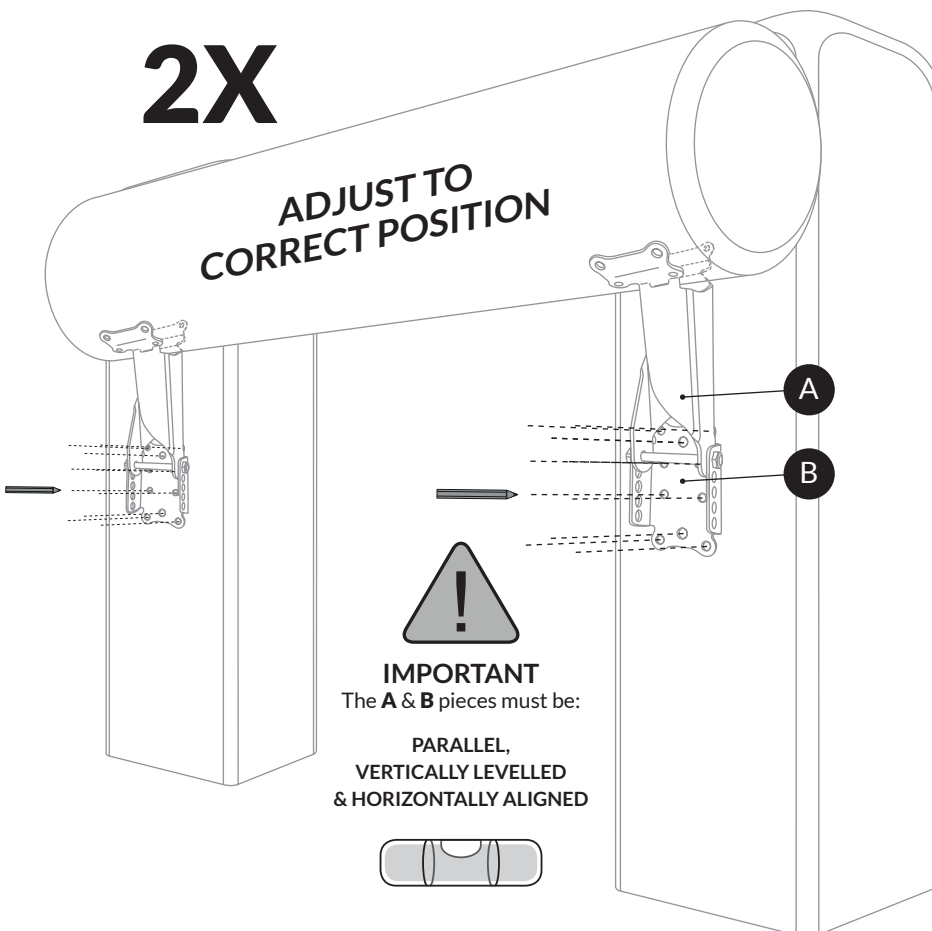
M-SM12x120 4X	M-BR12x22x2s 4X	M-MM12Ny 4X
		



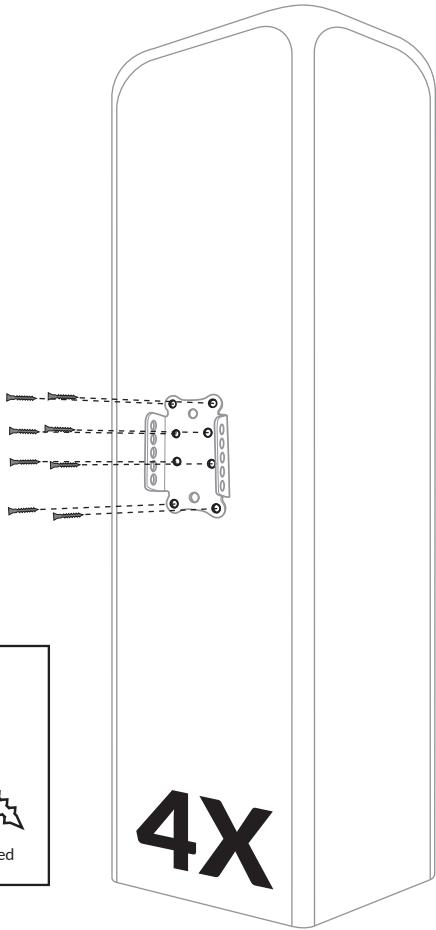
STEP
2

2X

**ADJUST TO
CORRECT POSITION**

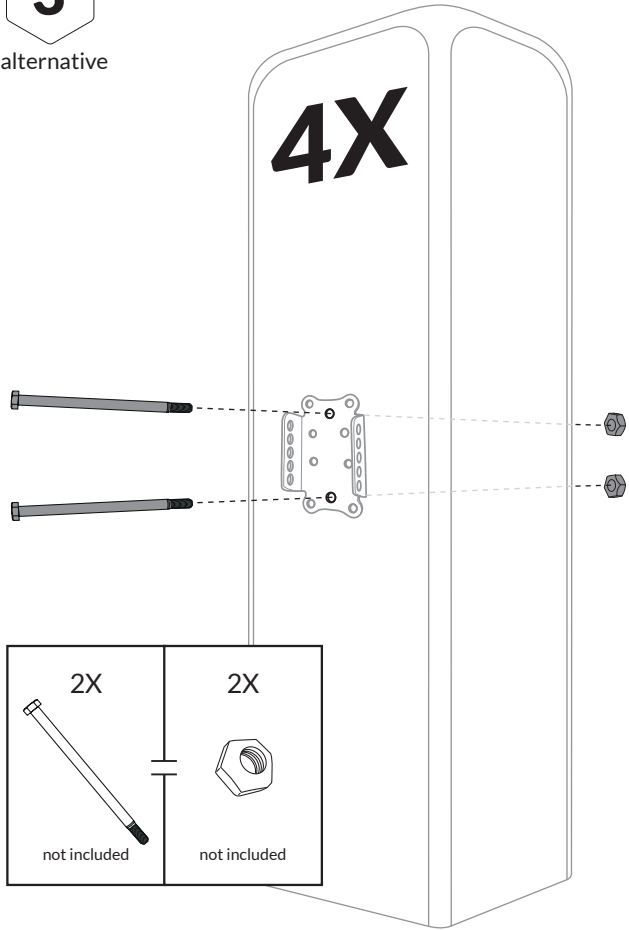


STEP
3

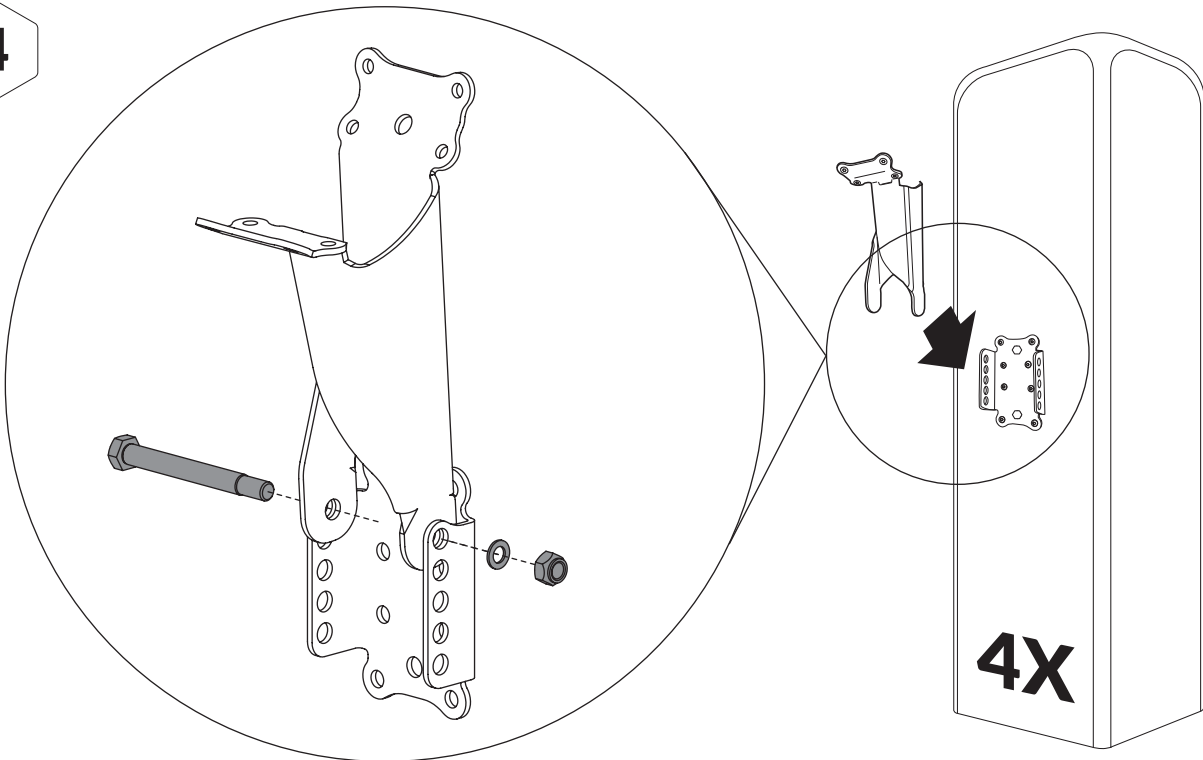


STEP
3*

*alternative

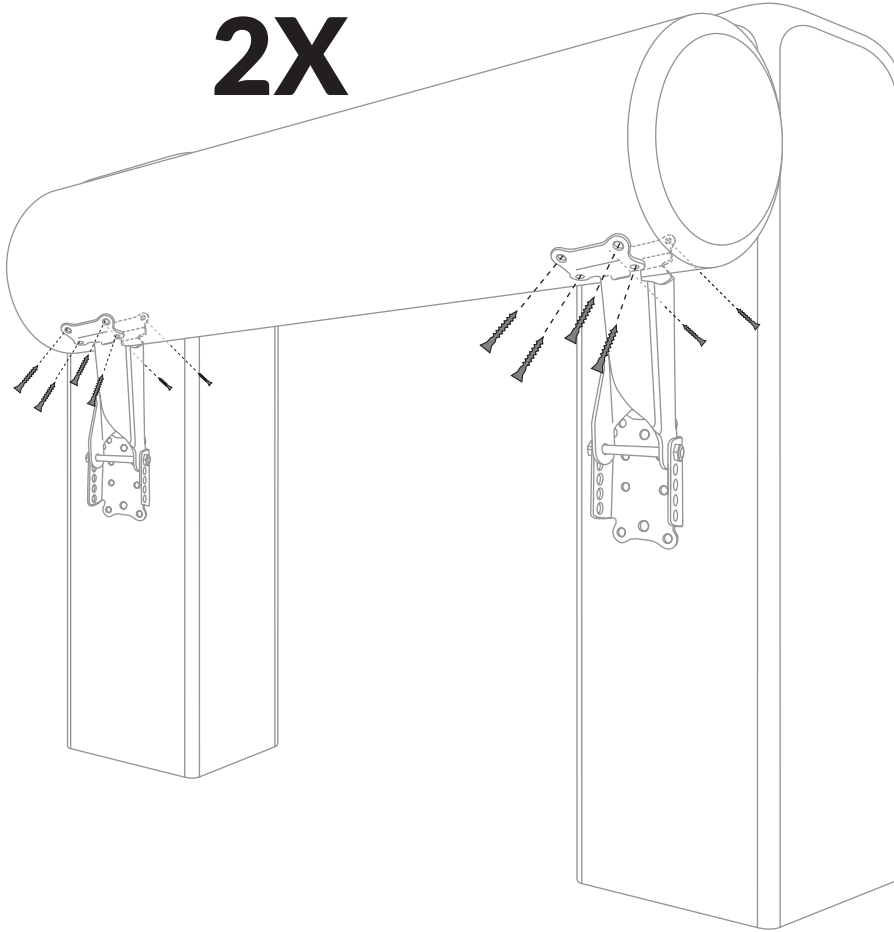


STEP
4

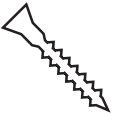


STEP
5

2X



12X

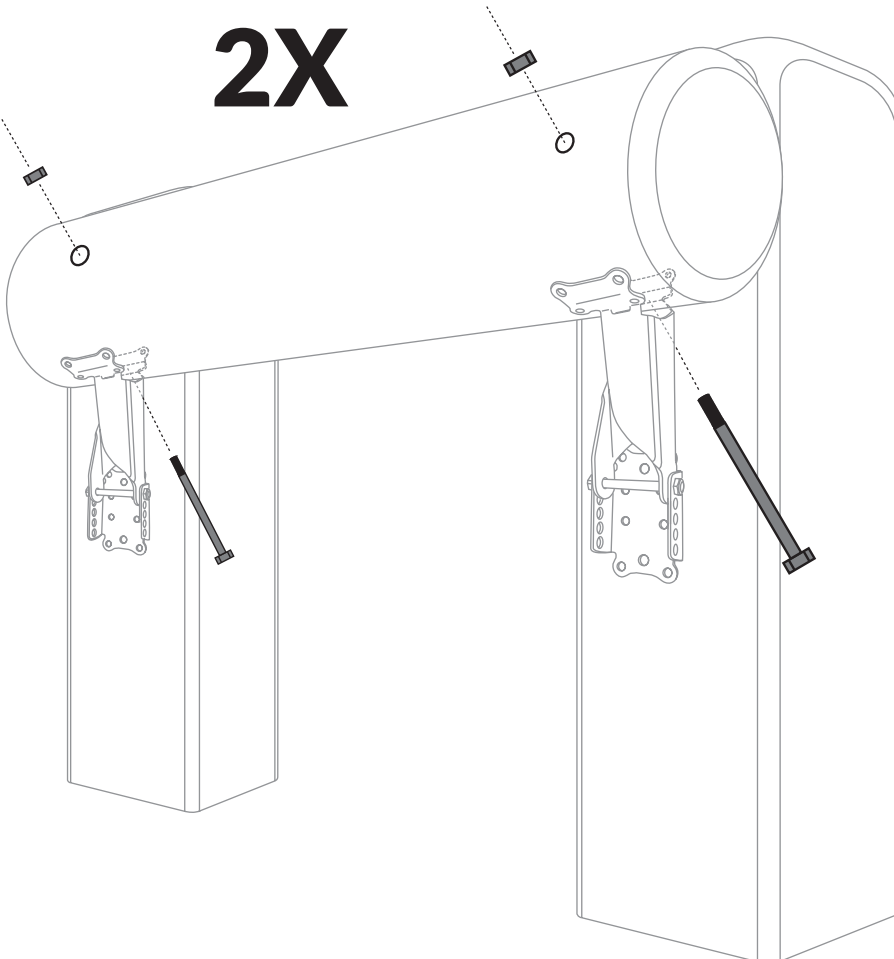




not included

STEP
5*

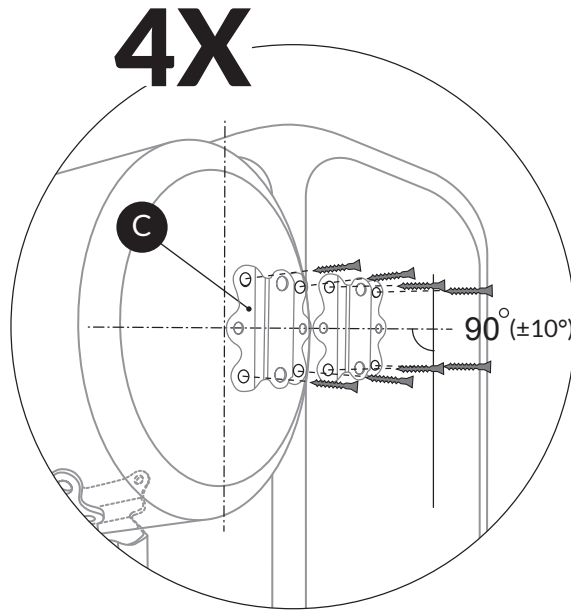
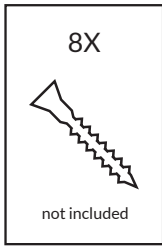
*alternative

2X



2X	2X
	
not included	not included

STEP
6

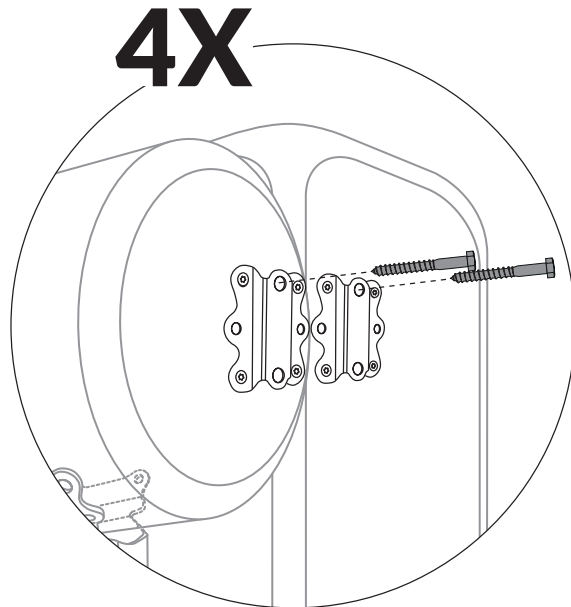
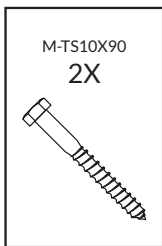


The **C** pieces must be:



**PARALLEL AND
HORIZONTALLY LEVELLED**

STEP
7

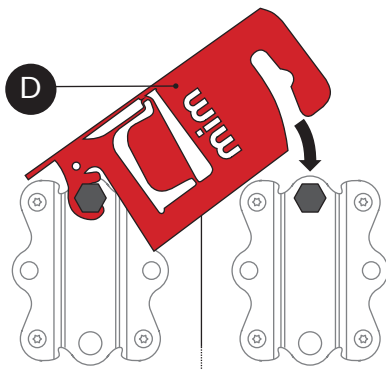


The **C** pieces must be:

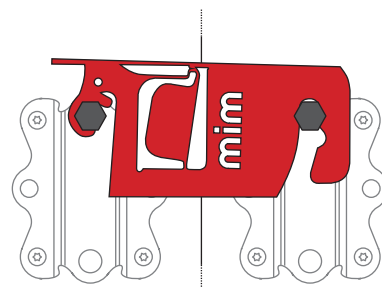


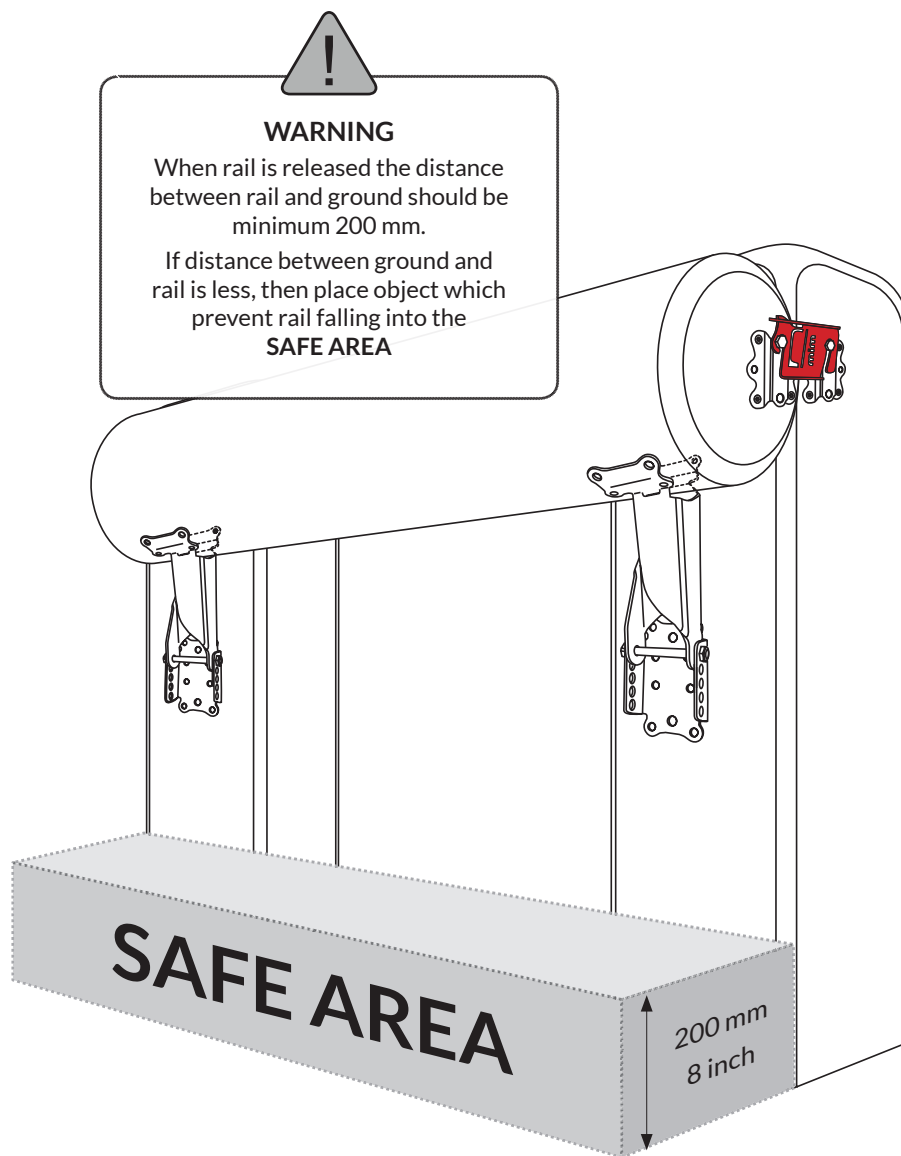
**PARALLEL AND
HORIZONTALLY LEVELLED**

STEP
8



4X





The advantages of the Oxer Kit

1. It has been produced with safety being the first and foremost important factor.
2. Reduces the possibility of rotational falls.
3. FEI approved number FEI01SWE.
4. Controlled movement of fence during release.
5. Reconstruction time is less than 30 seconds.
6. The parts are made of powder coated steel and can be left outside, no maintenance is required.
7. The very highest quality of product from Sweden.

The Mim clip (F18C) breaks on impact, which clearly indicates when replacement is needed. The rail is connected to the post with an hinge that makes the fence easy to reconstruct. This saves time, guarantees fair and correct judging for riders and contributes to the overall safety of the sport.