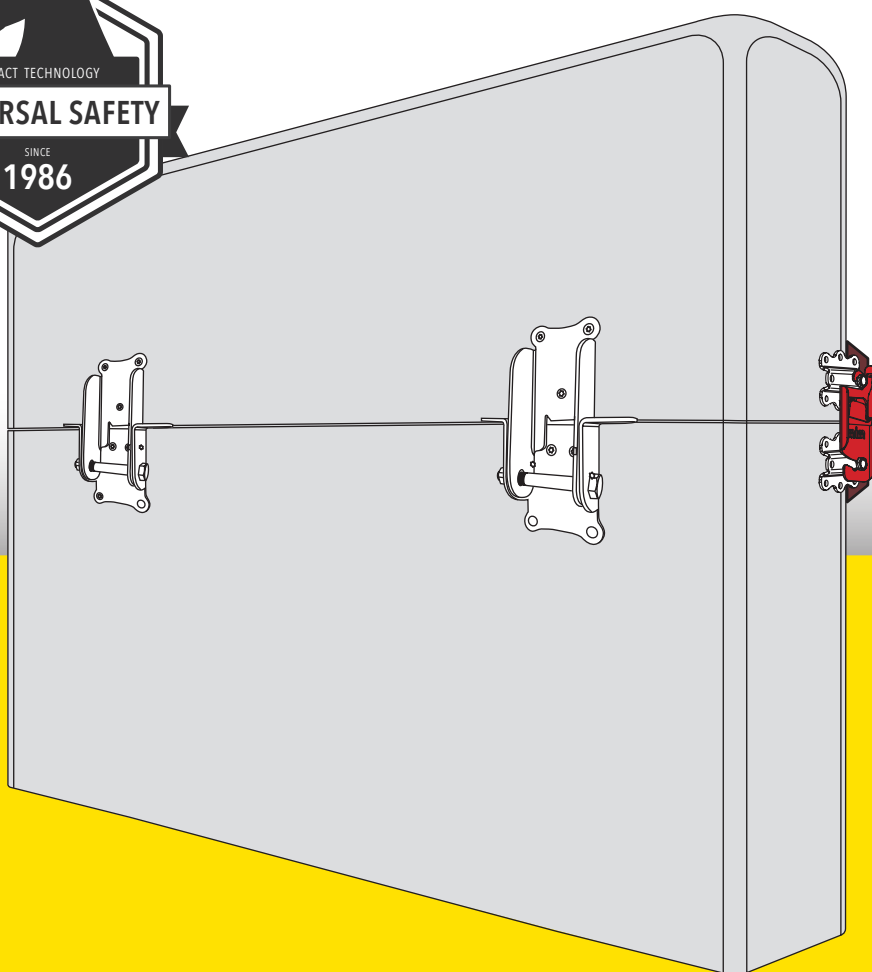


# mimSAFE

[www.mimsafe.se](http://www.mimsafe.se)



UPDATING INSTRUCTIONS

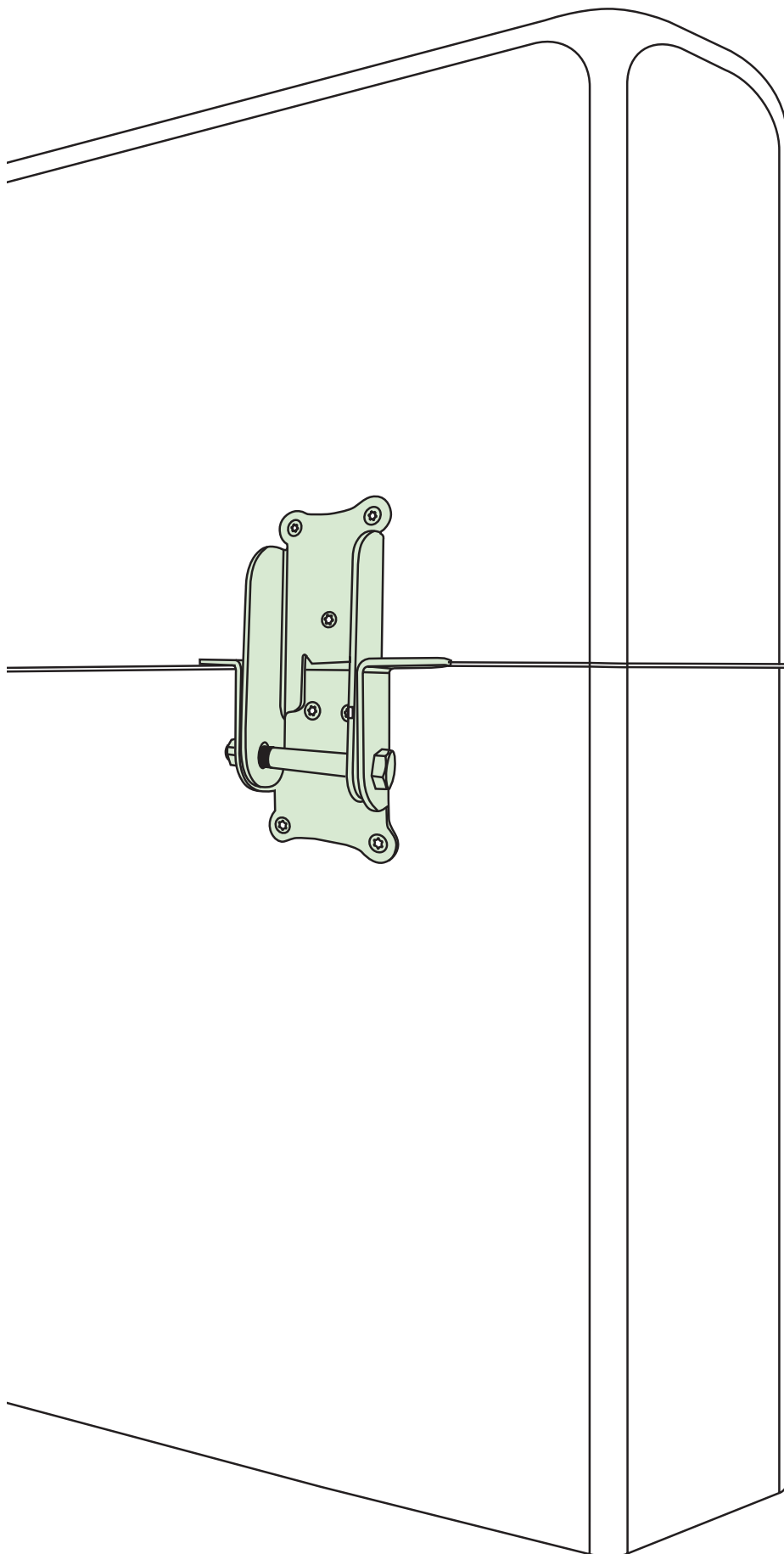
## OLD GATE & WALL KIT UPDATE

Art. Nr. 00324 (Former construction)



APPROVED

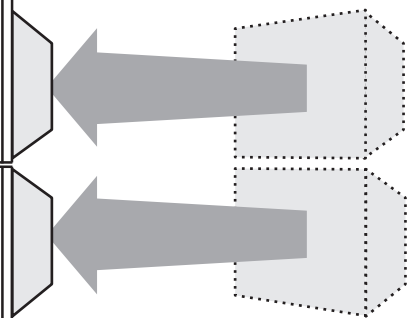
STEP  
**1**



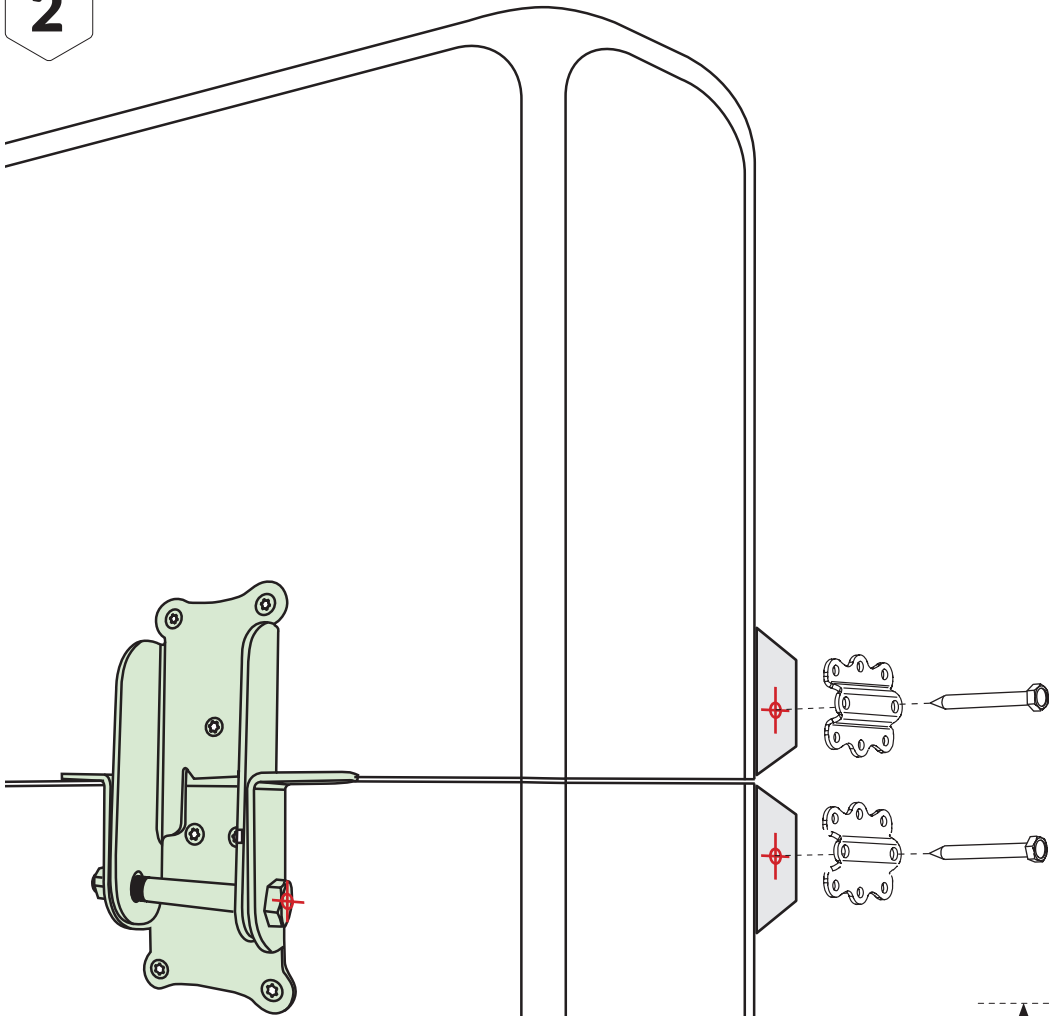
**IMPORTANT**



Add material to extend the surface enough for the clip holders to be placed correctly on both sides



STEP  
**2**



**!**  
**IMPORTANT**  
USE  
Drilling pattern 80326-DP

15" - 17"  
380mm - 420mm

