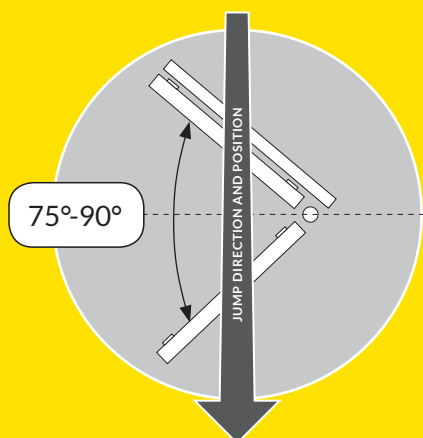
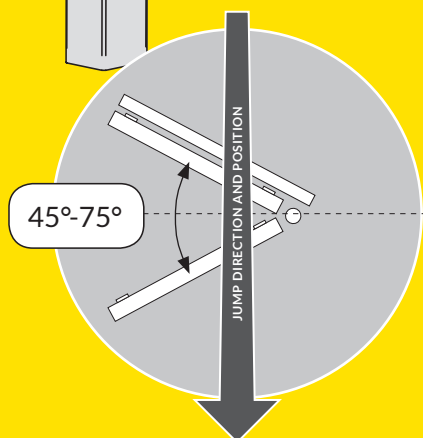
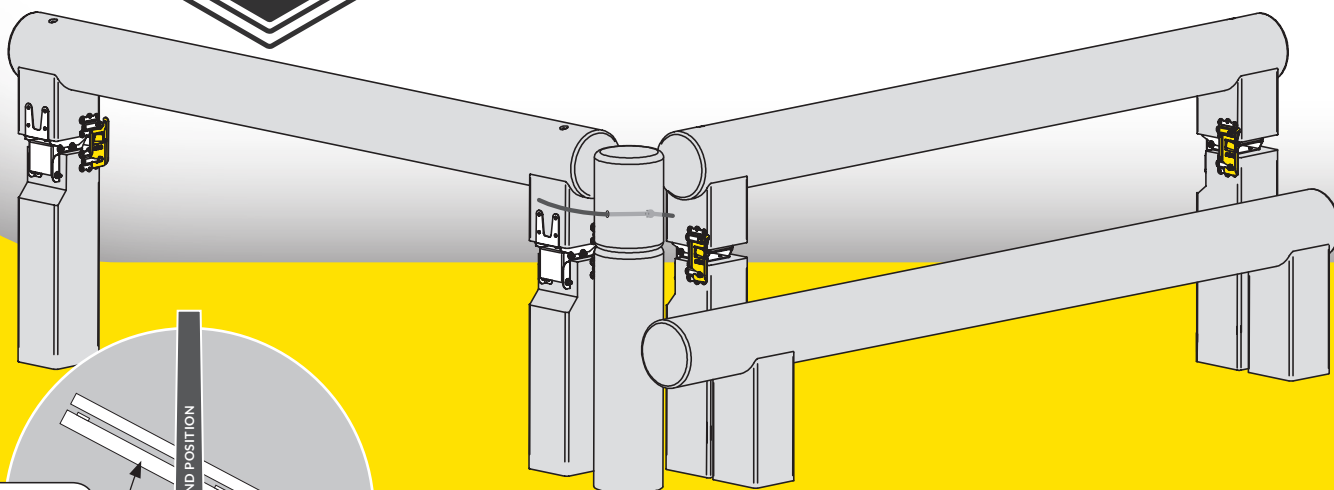


Corner Kit - 80326

# mimSAFE

[mimclip.mimsafe.com](http://mimclip.mimsafe.com)



ASSEMBLY AND OPERATION INSTRUCTIONS

## CORNER KIT

MIMCLIP SYSTEM

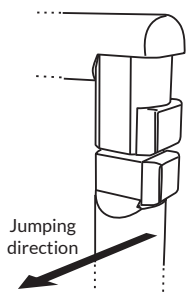
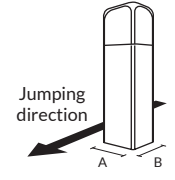
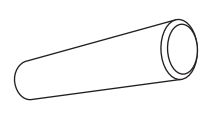


APPROVED

# INFORMATION ABOUT THE CORNER KIT

The Corner Kit has been designed and developed specifically to greatly reduce the risk of rotational falls. The most important element of this kit is that it will not break the fence or risk injury

to the horse if hit vertically. The rail is only released when impacted horizontally by the horse. The risk of a resulting rotational fall is thus reduced.

FENCE DIMENSIONS																										
<p>ROUND POST</p>  <p style="text-align: center;"><b>DIAMETER</b></p> <table border="1"> <tr> <td style="text-align: center;">9 - 11</td> <td style="text-align: center;">inch</td> </tr> <tr> <td style="text-align: center;">225 - 275</td> <td style="text-align: center;">mm</td> </tr> </table>	9 - 11	inch	225 - 275	mm	<p>SQUARE POST</p>  <p style="text-align: center;"><b>A: MIN-MAX SIZE</b></p> <table border="1"> <tr> <td style="text-align: center;">6 - 8</td> <td style="text-align: center;">inch</td> </tr> <tr> <td style="text-align: center;">150 - 200</td> <td style="text-align: center;">mm</td> </tr> </table> <p style="text-align: center;"><b>B: MIN-MAX SIZE</b></p> <table border="1"> <tr> <td style="text-align: center;">8-9</td> <td style="text-align: center;">inch</td> </tr> <tr> <td style="text-align: center;">200-225</td> <td style="text-align: center;">mm</td> </tr> </table>	6 - 8	inch	150 - 200	mm	8-9	inch	200-225	mm	<p>RAIL</p>  <p style="text-align: center;"><b>MIN-MAX WEIGHT</b></p> <table border="1"> <tr> <td style="text-align: center;">175 - 240</td> <td style="text-align: center;">lb</td> </tr> <tr> <td style="text-align: center;">80 - 110</td> <td style="text-align: center;">kg</td> </tr> </table> <p style="text-align: center;"><b>MIN-MAX DIAMETER</b></p> <table border="1"> <tr> <td style="text-align: center;">8 - 12</td> <td style="text-align: center;">inch</td> </tr> <tr> <td style="text-align: center;">200 - 300</td> <td style="text-align: center;">mm</td> </tr> </table> <p style="text-align: center;"><b>MAXIMUM LENGTH</b></p> <table border="1"> <tr> <td style="text-align: center;">12</td> <td style="text-align: center;">ft</td> </tr> <tr> <td style="text-align: center;">3600</td> <td style="text-align: center;">mm</td> </tr> </table>	175 - 240	lb	80 - 110	kg	8 - 12	inch	200 - 300	mm	12	ft	3600	mm
9 - 11	inch																									
225 - 275	mm																									
6 - 8	inch																									
150 - 200	mm																									
8-9	inch																									
200-225	mm																									
175 - 240	lb																									
80 - 110	kg																									
8 - 12	inch																									
200 - 300	mm																									
12	ft																									
3600	mm																									



It is essential to follow the recommended dimensions on the fence for the correct function. If the recommended procedure is not correctly followed it may cause the failure of the device.

For your own safety and that of others please note the following step by step advice for correct preparation and installation. It is important that you follow your own health and safety requirements when constructing this kit.

**Ensure that you have all parts of the Corner Kit.**

**Be aware of the risk of injury when handling heavy rails, posts and the tools for mounting.**

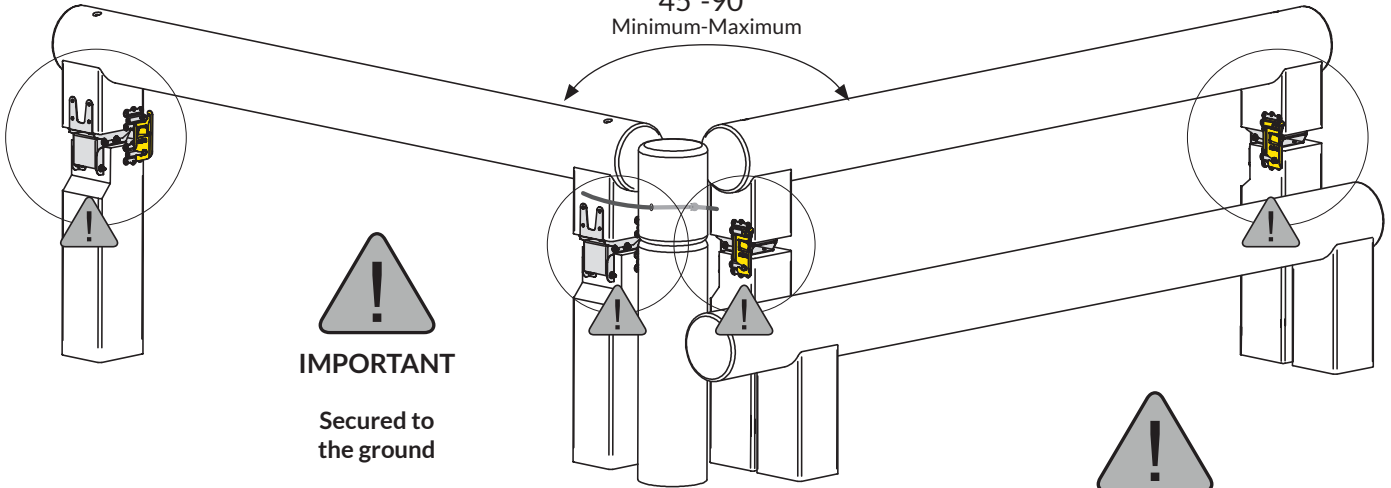
**WARNING!**



Jumping direction



45°-90°  
Minimum-Maximum



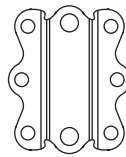
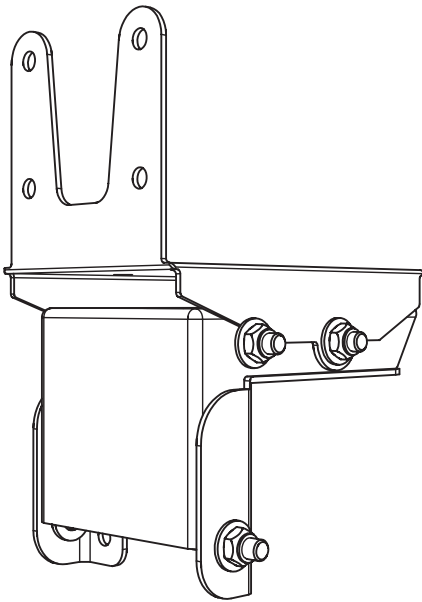
**IMPORTANT**

Secured to  
the ground



**IMPORTANT**

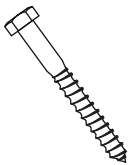



The clips F18F must be placed  
on ALL posts.



**A** 00454  
Part no 4x

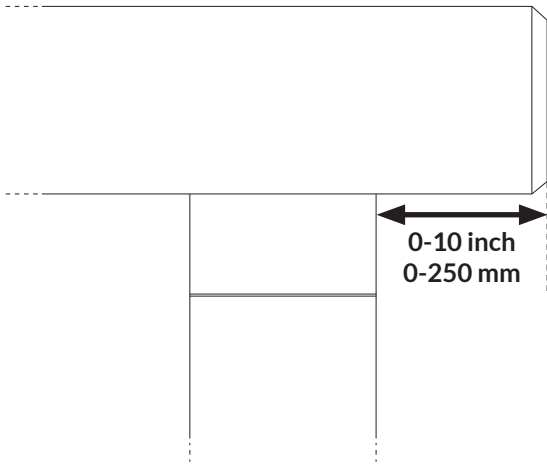
**B** F70A  
Part no 8x

**C** F18F  
Part no 12x

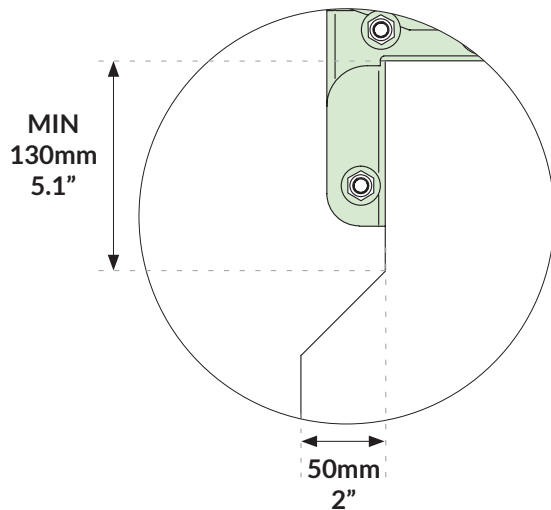
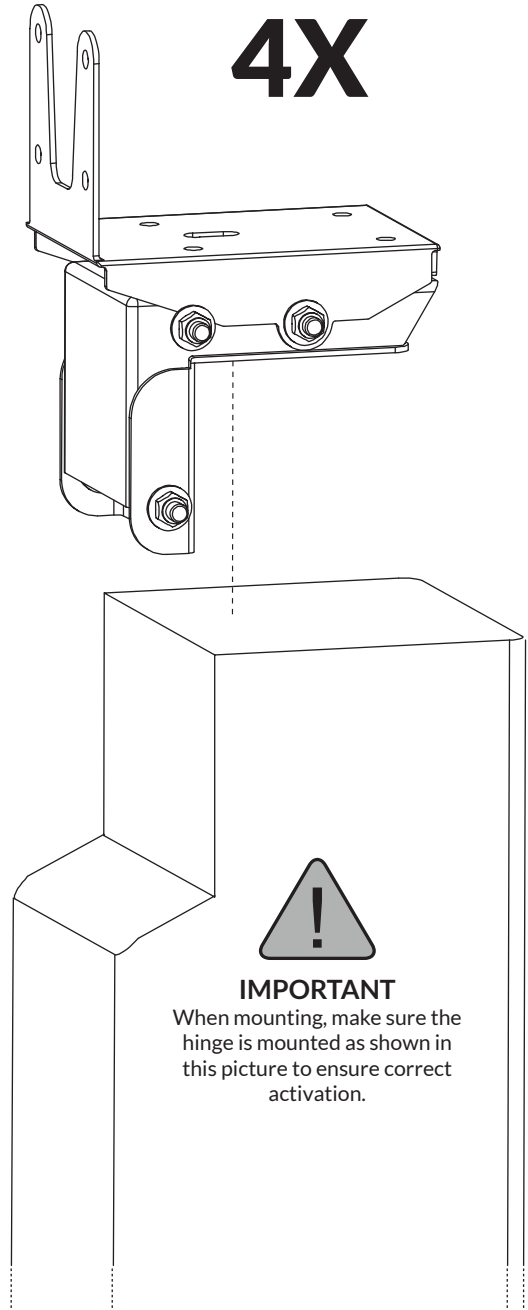
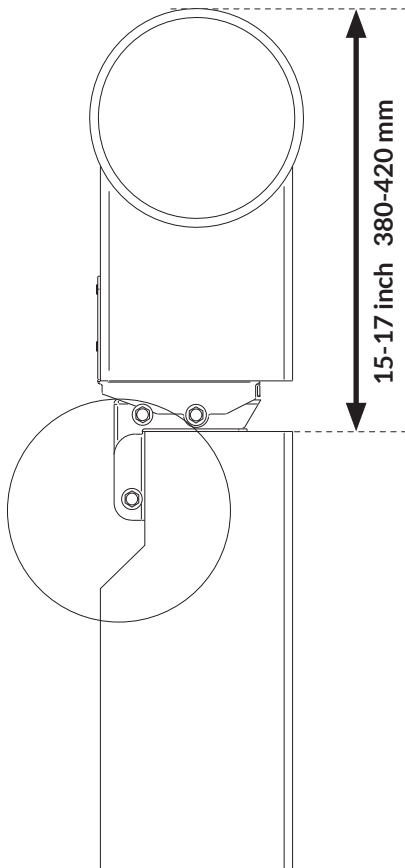
<p>M-TS10X90 8X</p> 	<p>POST TOP SECTION 4X</p>  <p>not included</p>	<p>POST BOTTOM SECTION 4X</p>  <p>not included</p>	<p>RAIL 2X</p>  <p>not included</p>
---	--	---	---

STEP  
**1a**

Square posts

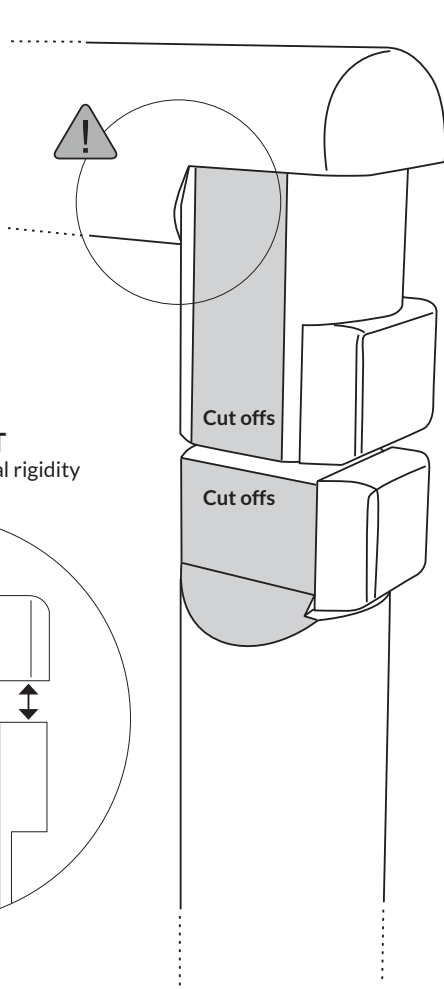


**IMPORTANT**  
Make sure you follow these measurements for correct fence release/function

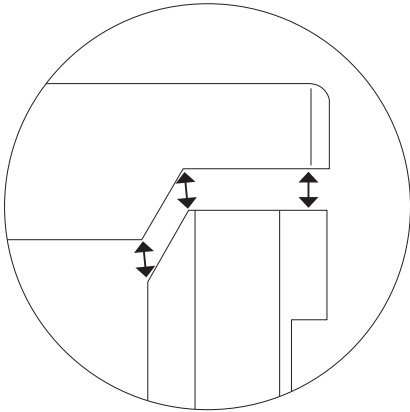


STEP  
**1b**

Round posts



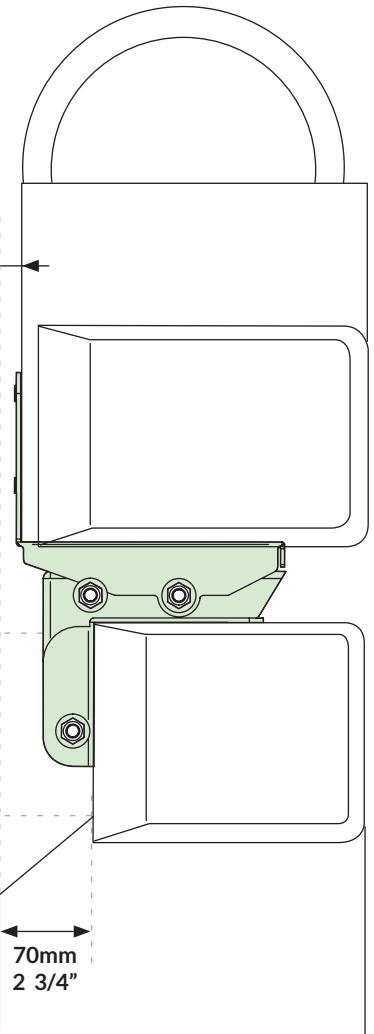
**IMPORTANT**  
Aligned cuts for torsional rigidity



20mm  
3/4"

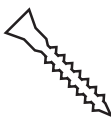
MIN  
130mm  
5.1"

70mm  
2 3/4"

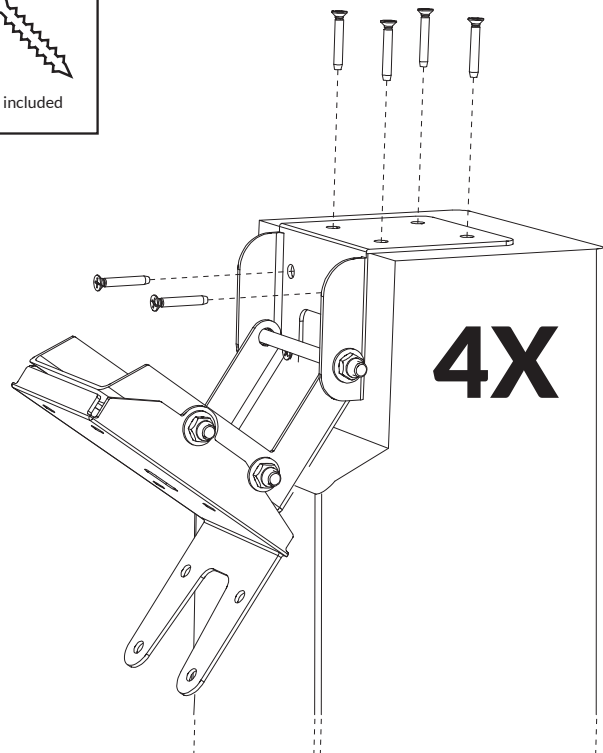
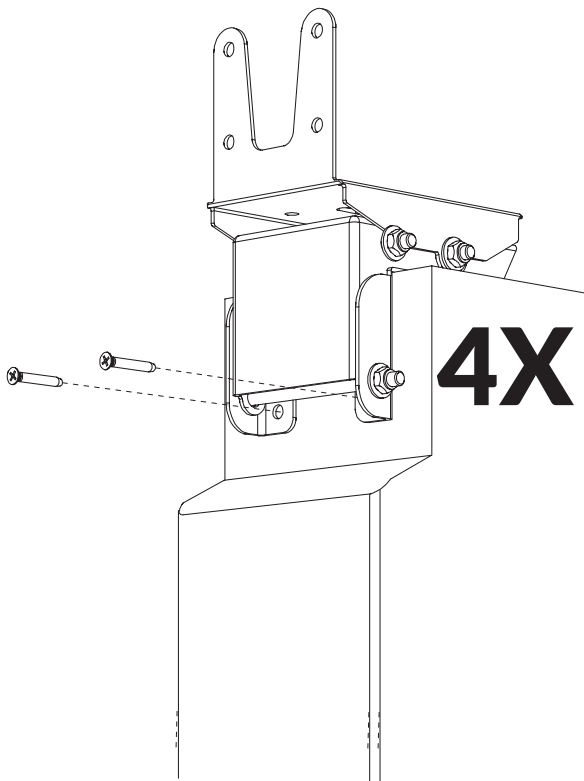


STEP  
**2**

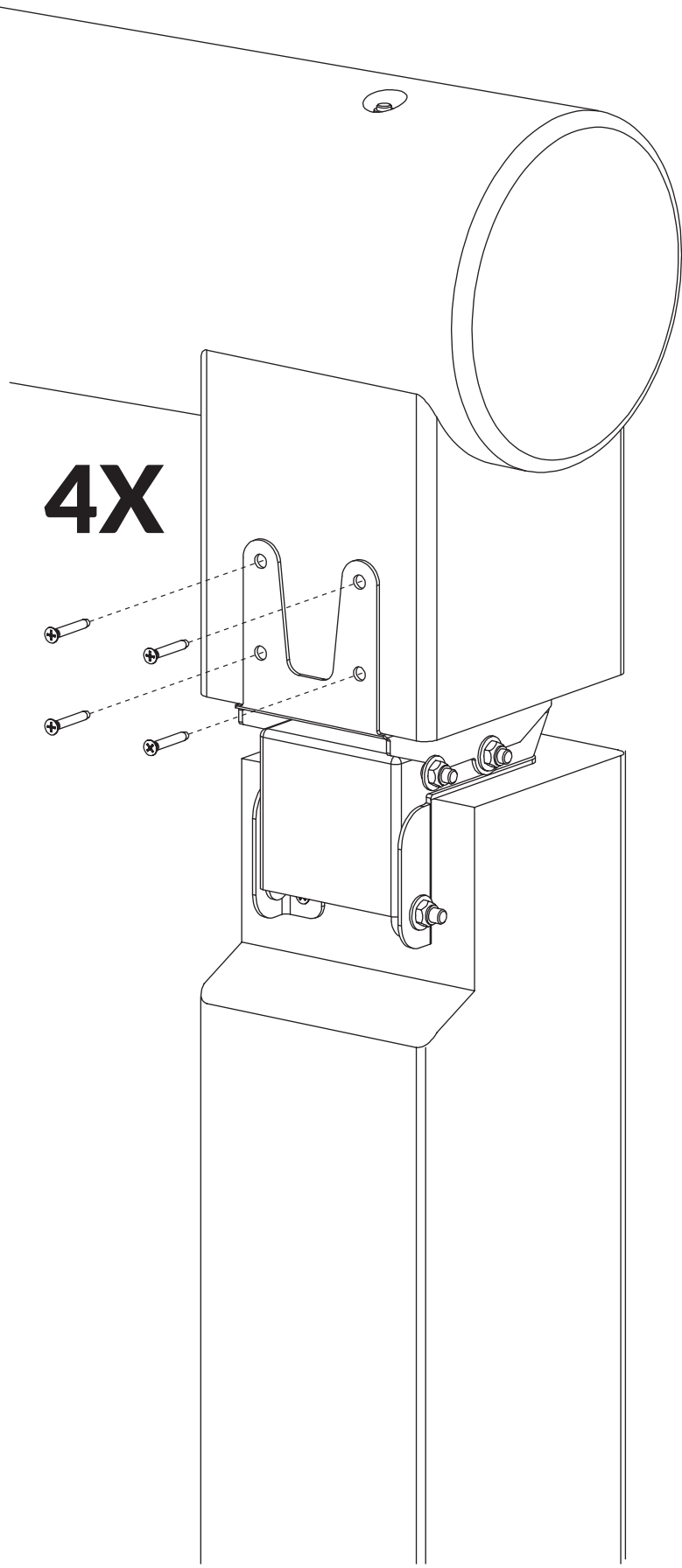
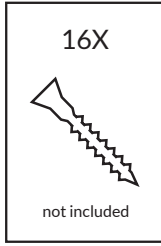
32X



not included



STEP  
**3**

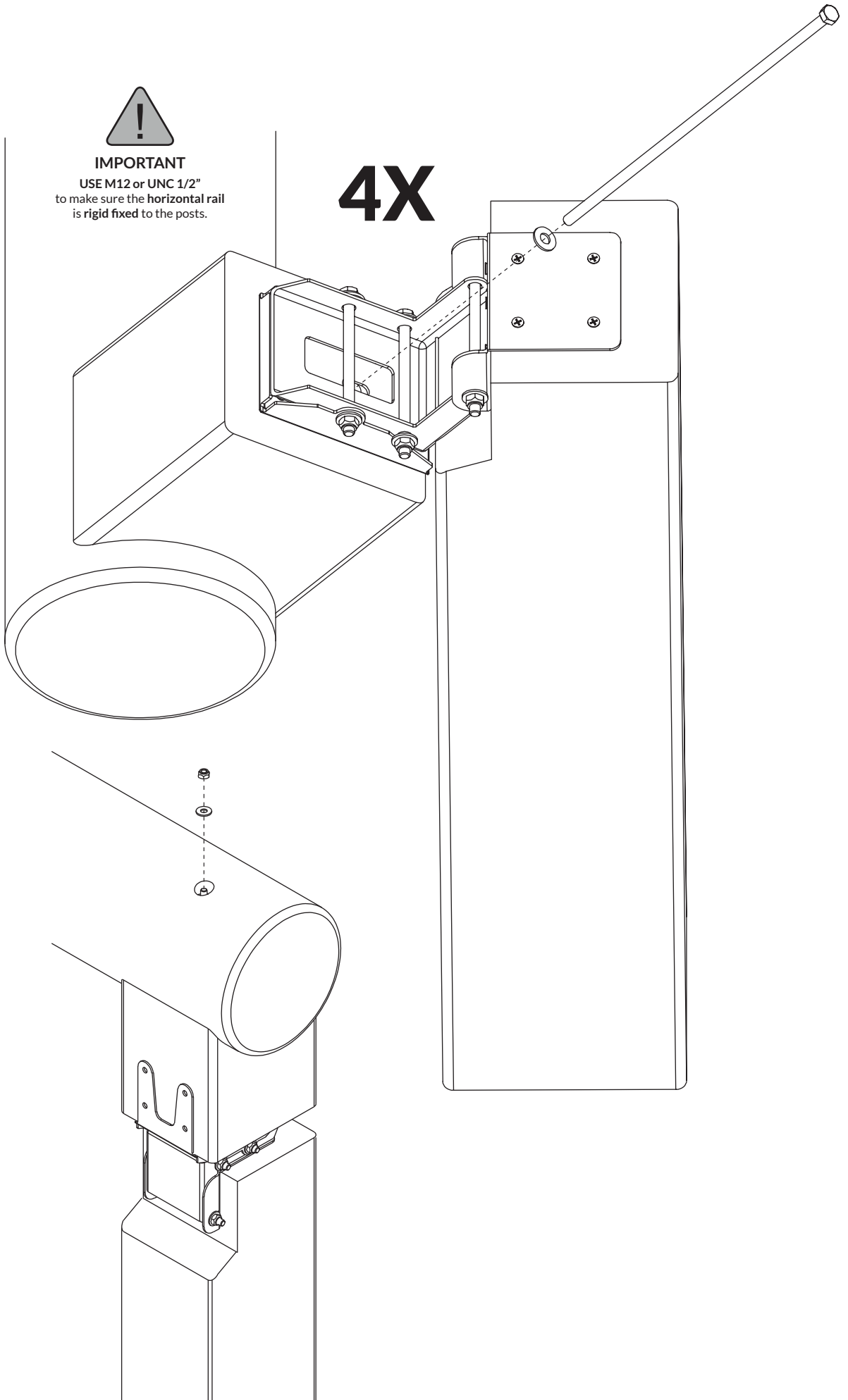


STEP  
**4**



**IMPORTANT**  
USE M12 or UNC 1/2"  
to make sure the horizontal rail  
is rigid fixed to the posts.

**4X**

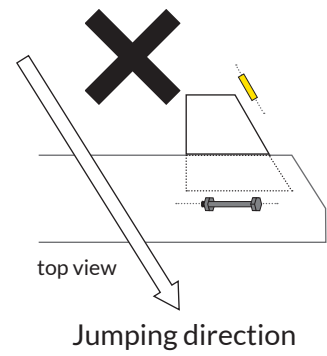


STEP  
**5**

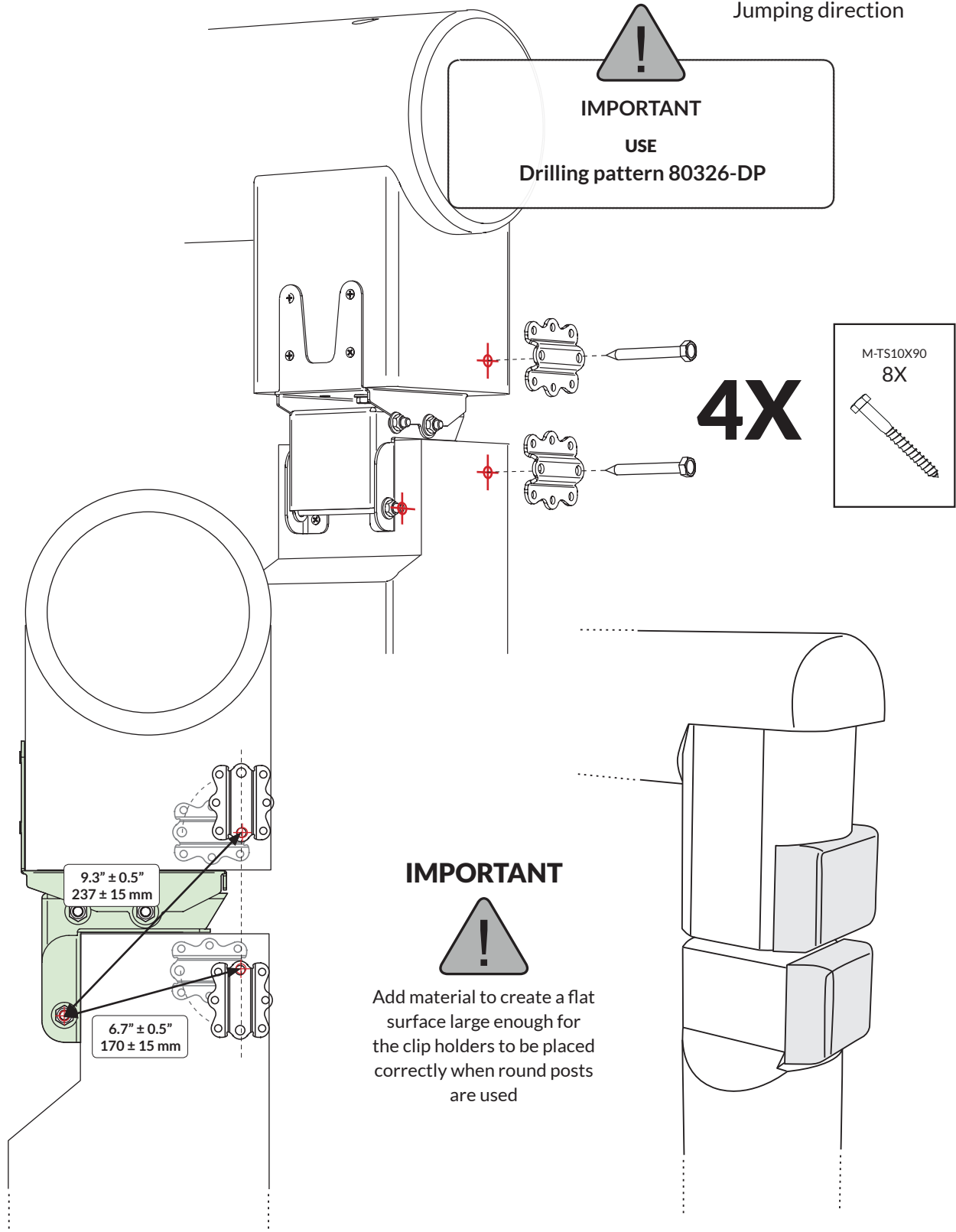
CORRECT alignment of the clip




WRONG alignment of the clip



**IMPORTANT**  
USE  
Drilling pattern 80326-DP



**IMPORTANT**



Add material to create a flat surface large enough for the clip holders to be placed correctly when round posts are used

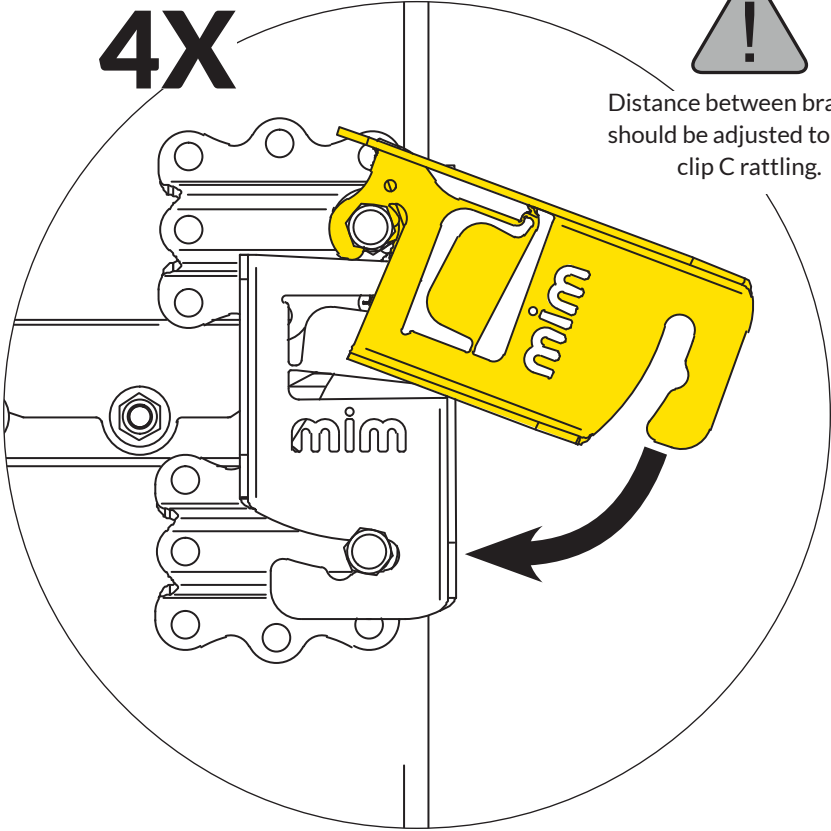


STEP  
**6**

**IMPORTANT**

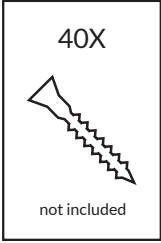
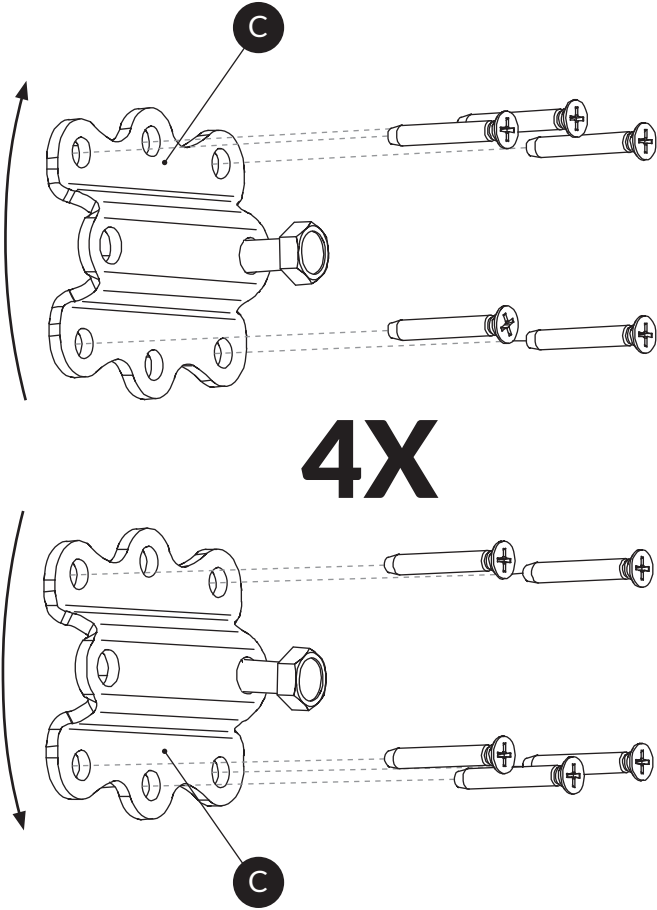


Distance between brackets  
should be adjusted to avoid  
clip C rattling.



STEP  
**7**

Rotate the pieces C  
around the bolt's position  
if necessary



45°-75°

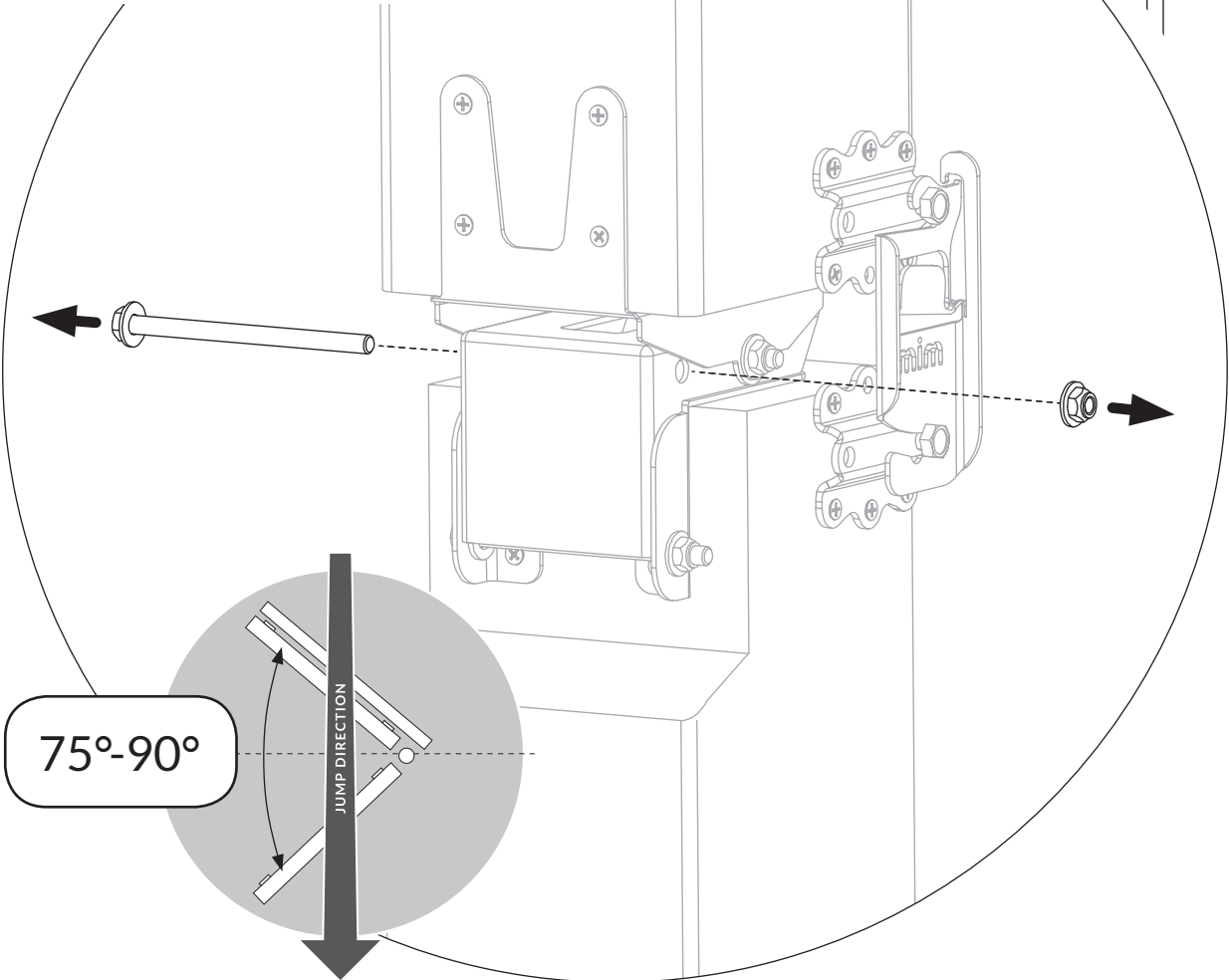
JUMP DIRECTION

**4X**

**IMPORTANT**

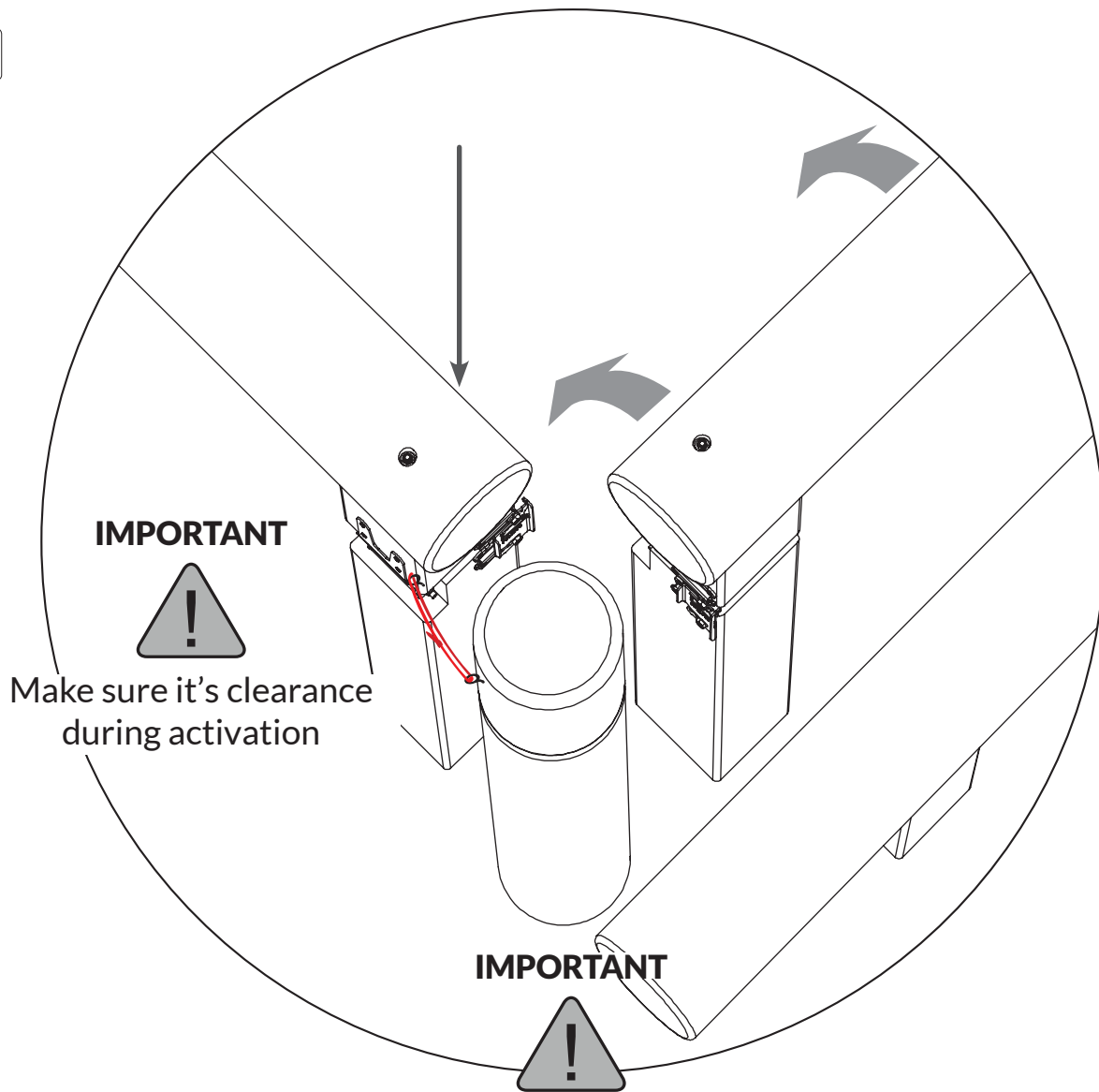


Remove this bolt when the corner kit is wider than 75°. This will facilitate the fence releasing.

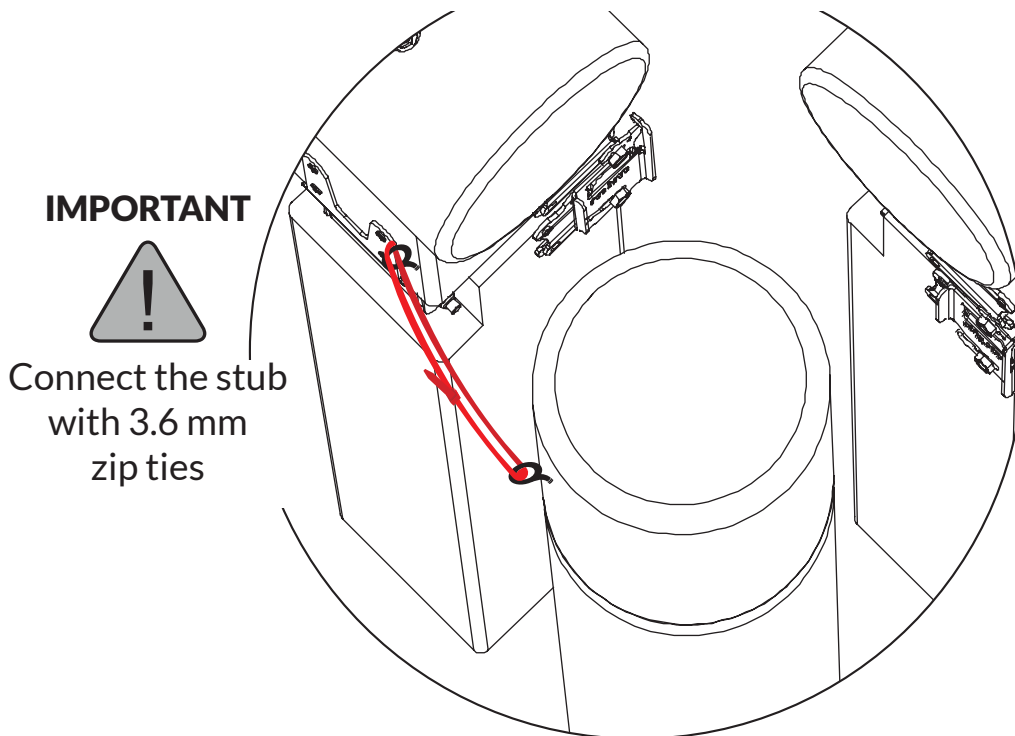


75°-90°

JUMP DIRECTION



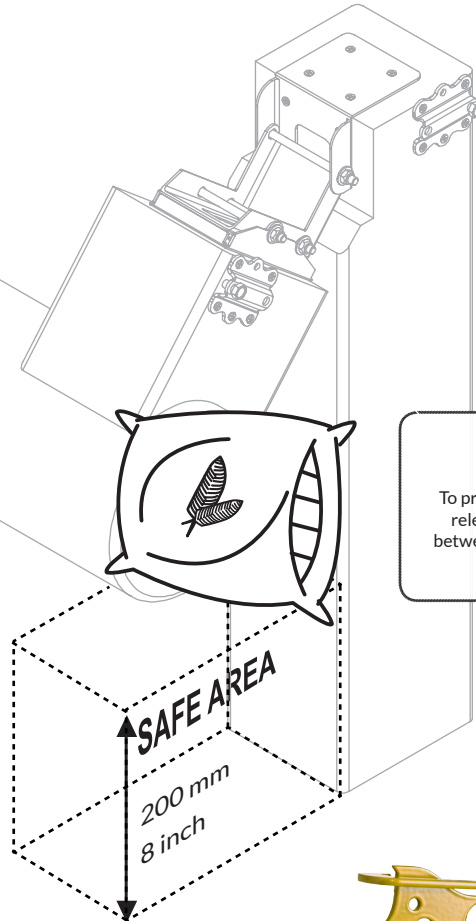
Fill out the gap with a fixed lower post and a loose stub above to avoid "foot trap".





## IMPORTANT

When top section is released the distance between top section and ground should be **minimum 200 mm**.  
If distance between ground and top section is less, then place an object which will prevent the top section falling into the **SAFE AREA**



## WARNING

To protect the fence mechanism when released, put a dampening material between the safe area and the released part of the fence.



The flag is bent when fatigued.

### The advantages of the Corner Kit

1. It has been produced with safety being the first and foremost important factor.
2. Reduces the possibility of rotational falls.
3. FEI approved number FEI01SWE.
4. Controlled movement of fence during release.
5. Reconstruction time is less than 30 seconds.
6. The parts are made of powder coated steel and can be left outside, no maintenance is required.
7. The very highest quality of product from Sweden ISO 9001.

### The advantages of the MIMclip

The MIMclip (F18F) breaks on impact. The flag is bent when the clip is exposed to fatigue. In both cases the clip must be replaced. The top section is connected to the post with a hinge that makes the fence easy to reconstruct. This saves time, guarantees fair and correct judging for riders and contributes to the overall safety of the sport.